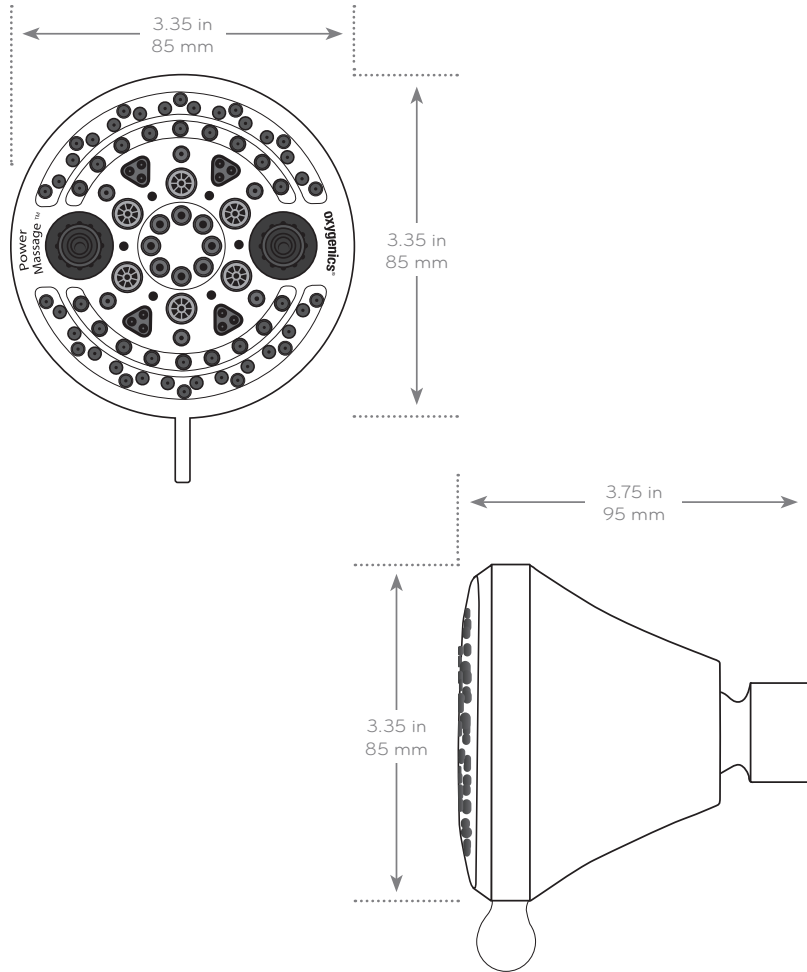




Submitted Model No.: _____

Specific Features: _____



PRODUCT SPECIFICATIONS:

- Dimensions:** 3.35" x 3.75" x 3.35"
- Weight:** 1 lb.
- Max Flow Rate:** 1.75 GPM
- Available Finishes:** Chrome, Brushed Nickel

SETTINGS:

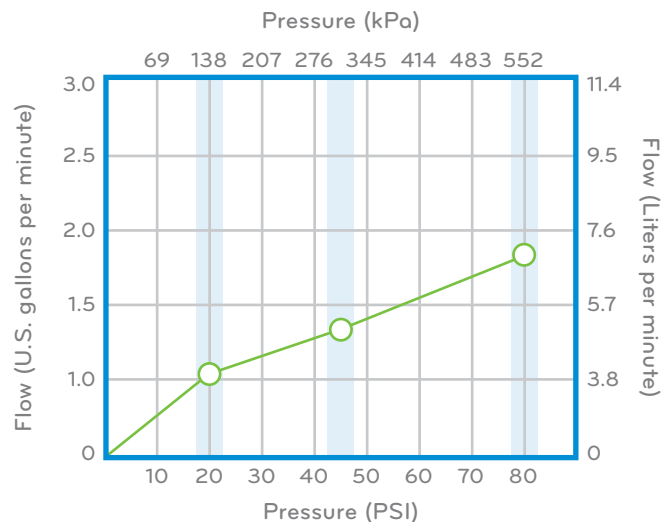


FEATURES:

- + Multi Oxygenics setting with dual Oxygenics engines **increases water pressure.**
- + **Efficient design** reduces water usage without limiting power.
- + **Reduces water and energy** costs by up to **\$130+ per year.**
- + **5 spray settings** adjust coverage from wide to focused.
- + Intuitive spray selector makes **changing settings easy**, even with wet hands.
- + Internal parts made from acetal resin **prevent hard mineral buildup and clogging.**

WHAT'S INCLUDED:

- + Fixed Shower + Plumber's Tape



○ Oxygenics 1.75 GPM

"NEVER CLOG!" Warranty

Limited lifetime performance warranty against failure or clogging.

