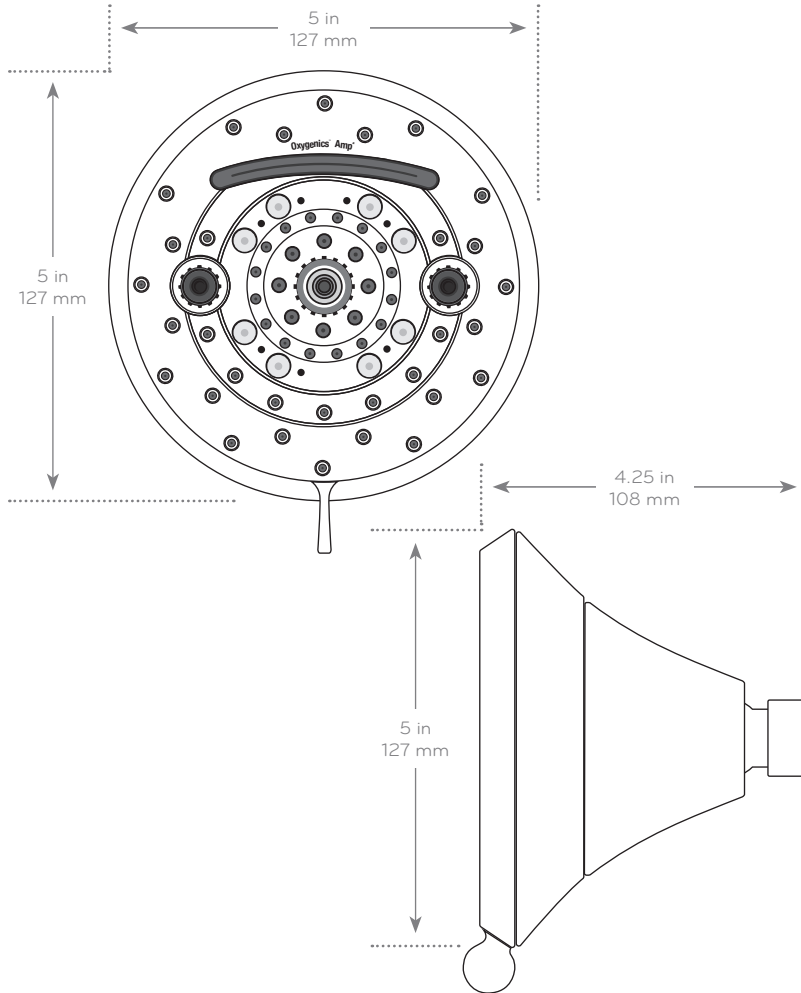




Submitted Model No.: _____

Specific Features: _____



PRODUCT SPECIFICATIONS:

- Dimensions:** 5" x 4.25" x 5"
- Weight:** 1 lb.
- Max Flow Rate:** 1.8 GPM
- Available Finishes:** Chrome

SETTINGS:

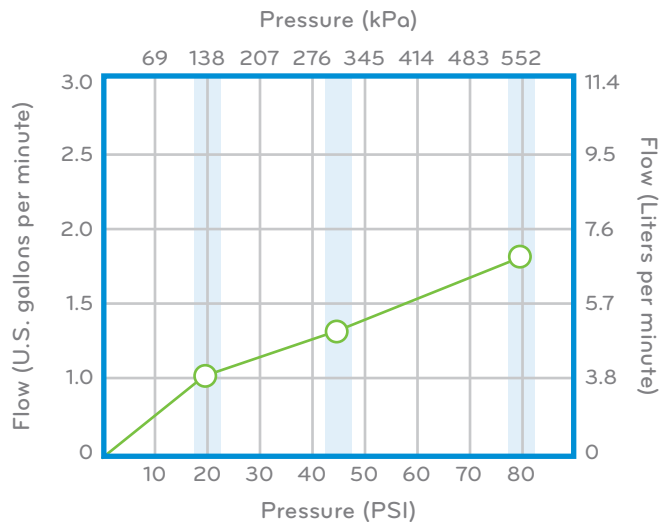


FEATURES:

- + **Powerful spray featuring multiple Oxygenics engines** and a distinct Waterfall spray setting.
- + **5" spray face** adds coverage for better rinsing.
- + Efficient **design reduces water usage** without limiting power.
- + **Saves up to \$125+ per year** on water and energy costs.
- + Non-stick internal parts and metal base add **increased durability.**
- + **Installation is fast,** easy and completed in minutes.

WHAT'S INCLUDED:

- + Fixed Shower + Plumber's Tape



○ Oxygenics 1.8 GPM

"NEVER CLOG!" Warranty

Limited lifetime performance warranty against failure or clogging.

