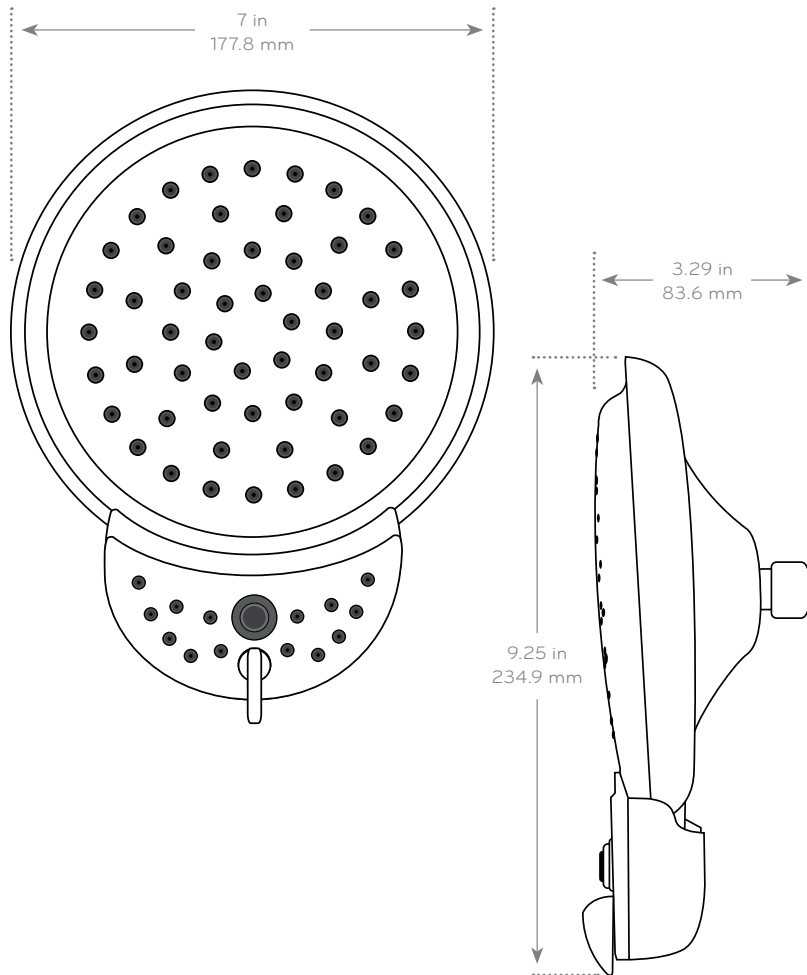


Submitted Model No.: _____

Specific Features: _____



PRODUCT SPECIFICATIONS:

- Dimensions:** 7" x 3.29" x 9.25"
- Weight:** 2 lbs.
- Max Flow Rate:** 2.0 GPM
- Available Finishes:** Chrome, Brushed Nickel

SETTINGS:

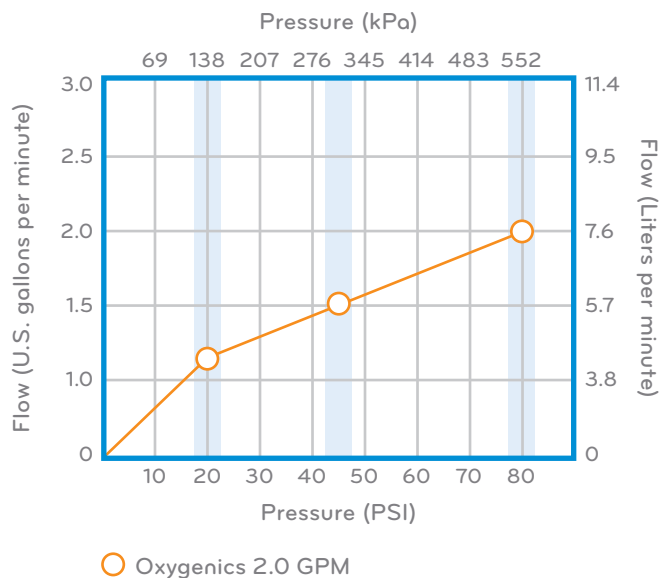


FEATURES:

- + Orbital pivots up to 45 degrees** delivering spray coverage exactly where you want it – no more standing in the cold!
- + 54 pressurized spray nozzles supply more power** than typical rain showers.
- + Saves up to \$85+ per year** – pays for itself in under 6 months!
- + A simple click of the Orbital arm changes the spray** from invigorating to a body-enveloping rain monsoon.
- + Features two unique spray settings** that can be used to customize your shower – stimulating or relaxing, it's your choice.

WHAT'S INCLUDED:

- + Fixed Shower
- + Plumber's Tape



"NEVER CLOG!" Warranty

Limited lifetime performance warranty against failure or clogging.

