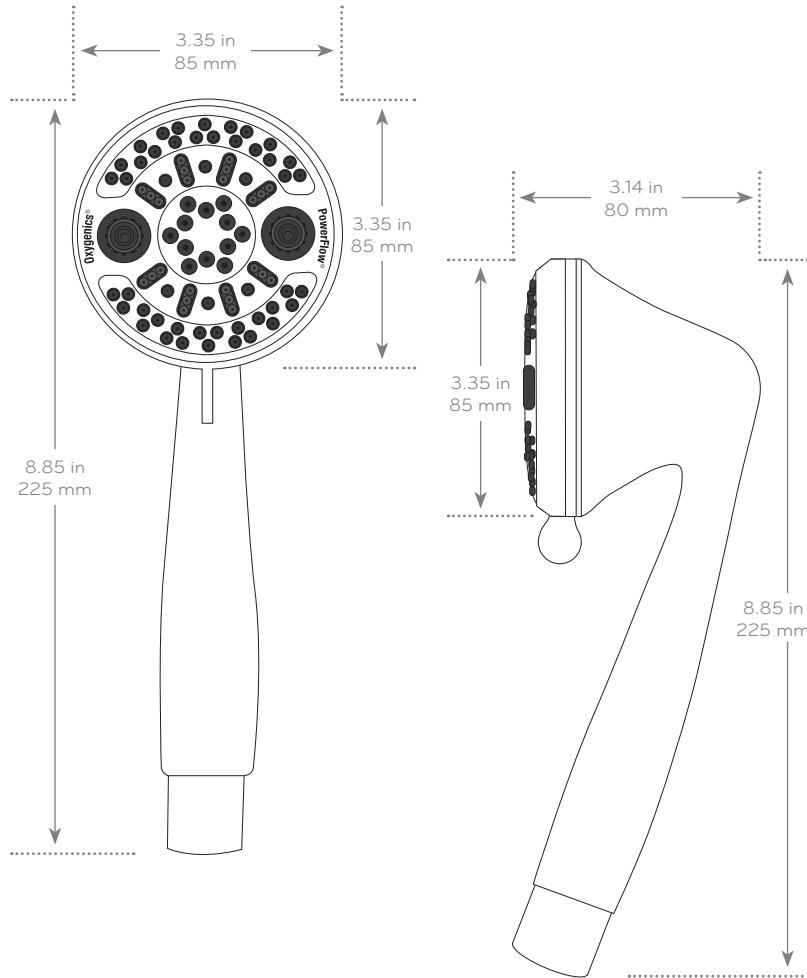




Submitted Model No.: _____

Specific Features: _____



PRODUCT SPECIFICATIONS:

- Dimensions:** 3.35" x 3.14" x 8.85"
- Weight:** 2 lbs.
- Max Flow Rate:** 1.75 GPM
- Available Finishes:** Chrome, Brushed Nickel

SETTINGS:

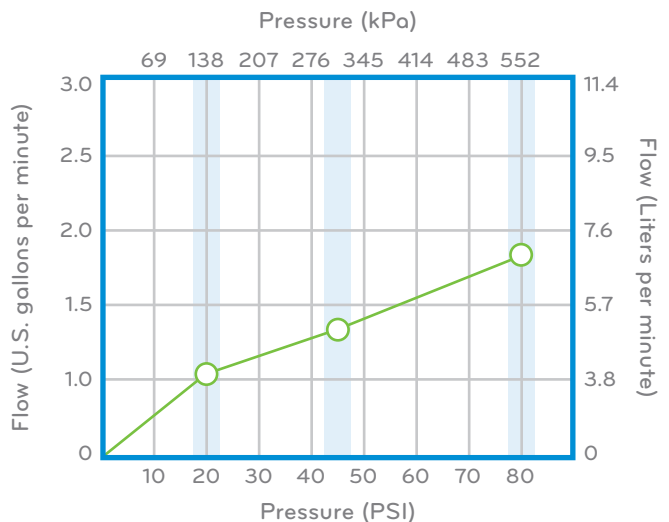


FEATURES:

- + Multi Oxygenics spray setting with dual Oxygenics engines **increases water pressure.**
- + **Efficient design** reduces water usage without limiting power.
- + **Saves up to \$130+ per year** on water and energy costs.
- + **Quality materials and superior construction** ensure a lifetime of performance.
- + **3 spray settings** allow for both wide and focused coverage.
- + **No tools required** makes installation easy and fast.

WHAT'S INCLUDED:

- + Handheld Shower + 60" Hose + Holder
- + Plumber's Tape



○ Oxygenics 1.75 GPM

"NEVER CLOG!" Warranty

Limited lifetime performance warranty against failure or clogging.

