



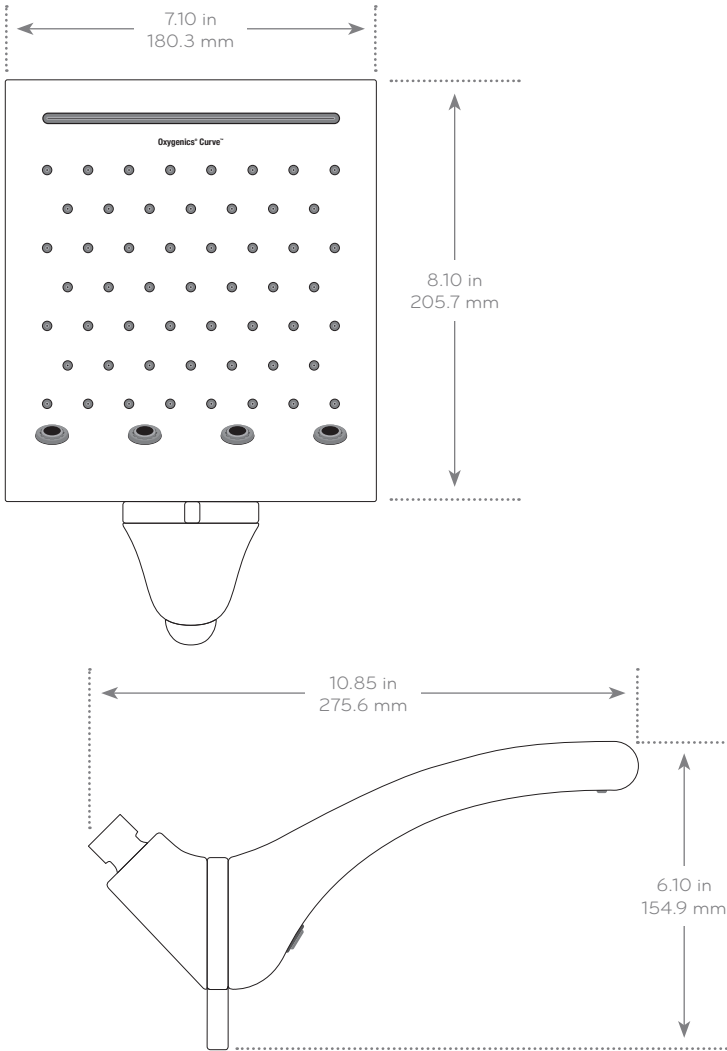
1.8 GPM



2.0 GPM

Submitted Model No.: _____

Specific Features: _____



PRODUCT SPECIFICATIONS:

- Dimensions:** 7.10" x 6.10" x 10.85"
- Weight:** 2 lbs.
- Max Flow Rate:** 1.8 GPM, 2.0 GPM
- Available Finishes:** Chrome, Brushed Nickel

SETTINGS:

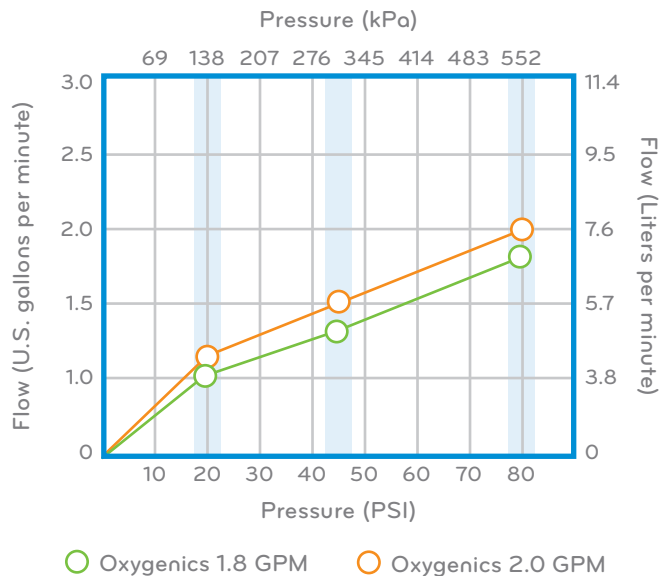


FEATURES:

- + Extends 10.5" from shower arm and **increases shower height by 5"** – ideal for the home spa.
- + **Unique shape and curved lines** give a designer look and feel.
- + Incorporates a **unique Waterfall spray setting.**
- + **Contemporary design** captures attention and blends well with existing décor.
- + Curved design does not require extension arm making for **fast & easy installation.**
- + Includes **metal base and non-stick internal components** for additional durability.

WHAT'S INCLUDED:

- + Rain Shower + Plumber's Tape



"NEVER CLOG!" Warranty

Limited lifetime performance warranty against failure or clogging.

