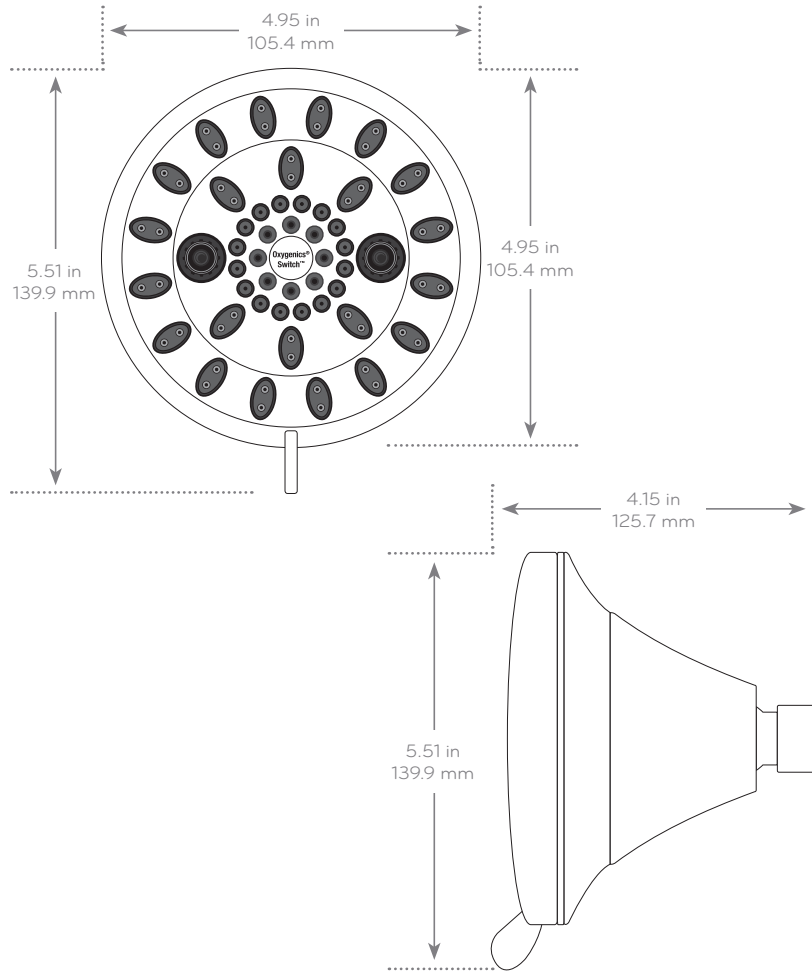


Submitted Model No.: \_\_\_\_\_

Specific Features: \_\_\_\_\_



**PRODUCT SPECIFICATIONS:**

- Dimensions:** 4.95" x 4.15" x 5.51"
- Weight:** 1 lbs.
- Max Flow Rate:** 1.8 GPM
- Available Finishes:** Chrome

**SETTINGS:**

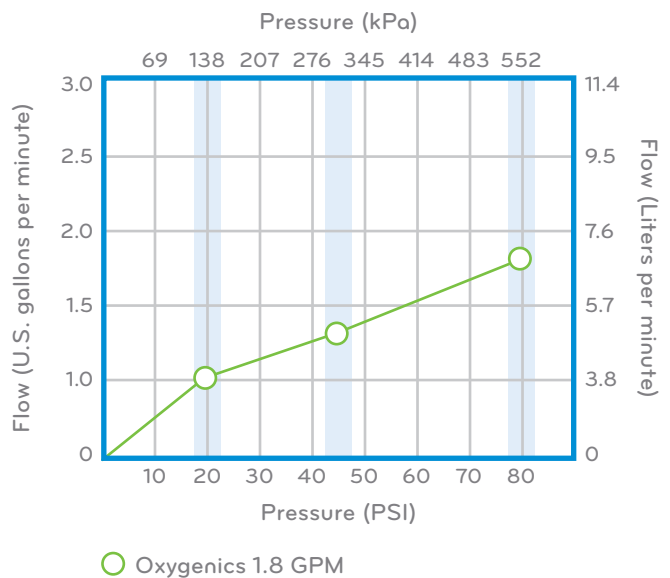


**FEATURES**

- + Unique face design with **70 powerful spray nozzles** and Multi Oxygenics setting with dual Oxygenics engines.
- + **5 different spray settings** including the Strobe, focused Massage stream, and everything in between.
- + **5" spray face** adds coverage for better rinsing.
- + **Saves up to \$125+ dollars per year** without sacrificing shower strength.
- + **Metal base adds durability** while non-stick internal parts prevent clogging or buildup.

**WHAT'S INCLUDED:**

- + Fixed Shower + Plumber's Tape



**"NEVER CLOG!" Warranty**

Limited lifetime performance warranty against failure or clogging.

