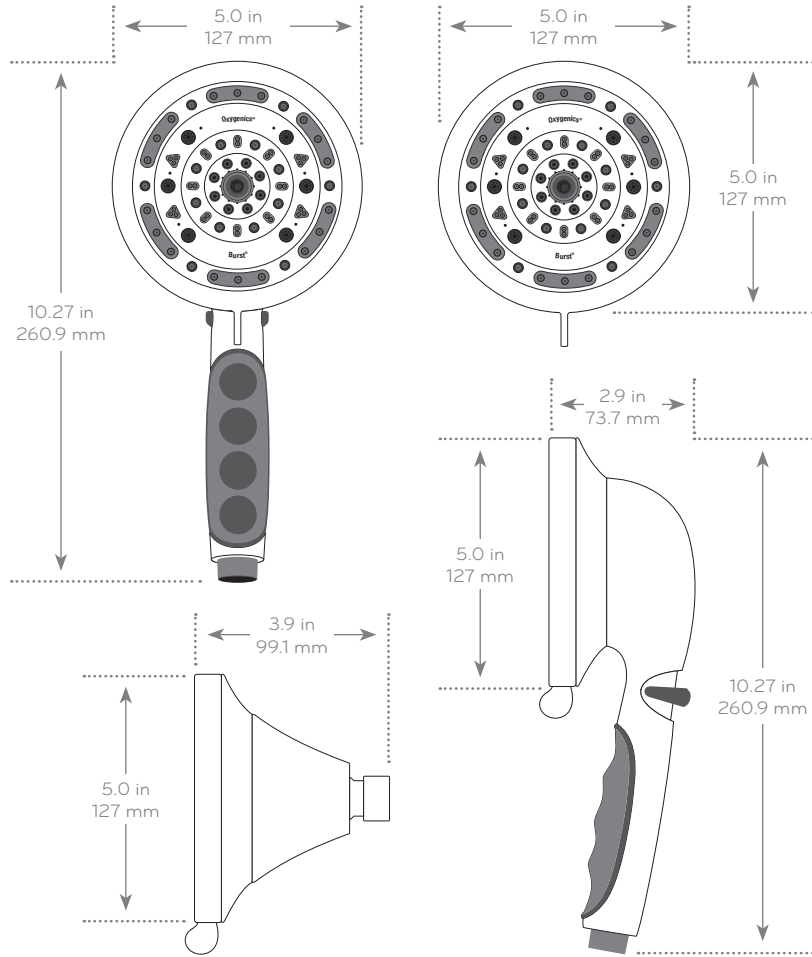




Submitted Model No.: _____

Specific Features: _____



PRODUCT SPECIFICATIONS:

- Dimensions:** 5" x 3.9" x 5" Fixed
5" x 2.9" x 10.27" Handheld
- Weight:** 1 lbs. Fixed; 2 lbs. Handheld
- Max Flow Rate:** 2.0 GPM
- Available Finishes:** Brushed Nickel

SETTINGS:

80
TOTAL SPRAY COMBINATIONS

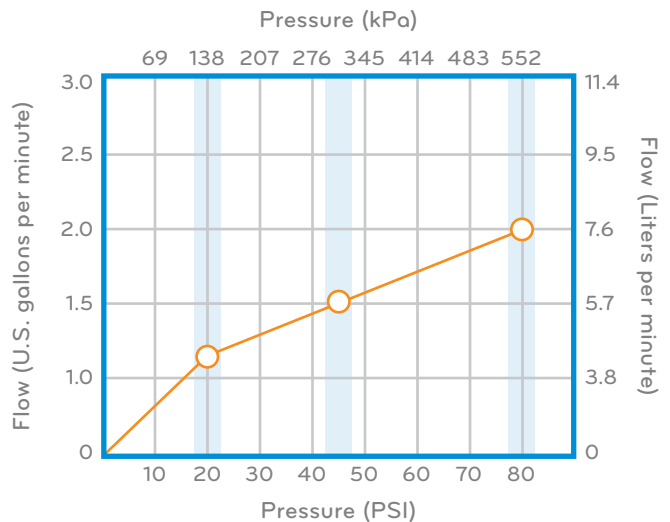
- Oxygenics
- WideStream
- FocusStream
- WideStream + FocusStream
- Massage
- WideStream + Massage
- Flood
- Flood + FocusStream

FEATURES

- + **Dual shower heads with 5" faces** for 10" total coverage area.
- + Each shower head has 8 spray settings for up to **80 possible spray combinations.**
- + **Rubber grip and comfort control lever** add functionality and innovation.
- + **Includes 72" stainless steel hose** for added reach and ease of use.
- + WaterSense-certified combo shower **saves money on water and energy.**
- + **Non-stick internal parts and metal base** add increased durability.

WHAT'S INCLUDED:

- + Fixed Shower + Handheld Shower + 72" Stainless Steel Hose + Diverter + Plumber's Tape



○ Oxygenics 2.0 GPM

"NEVER CLOG!" Warranty

Limited lifetime performance warranty against failure or clogging.

