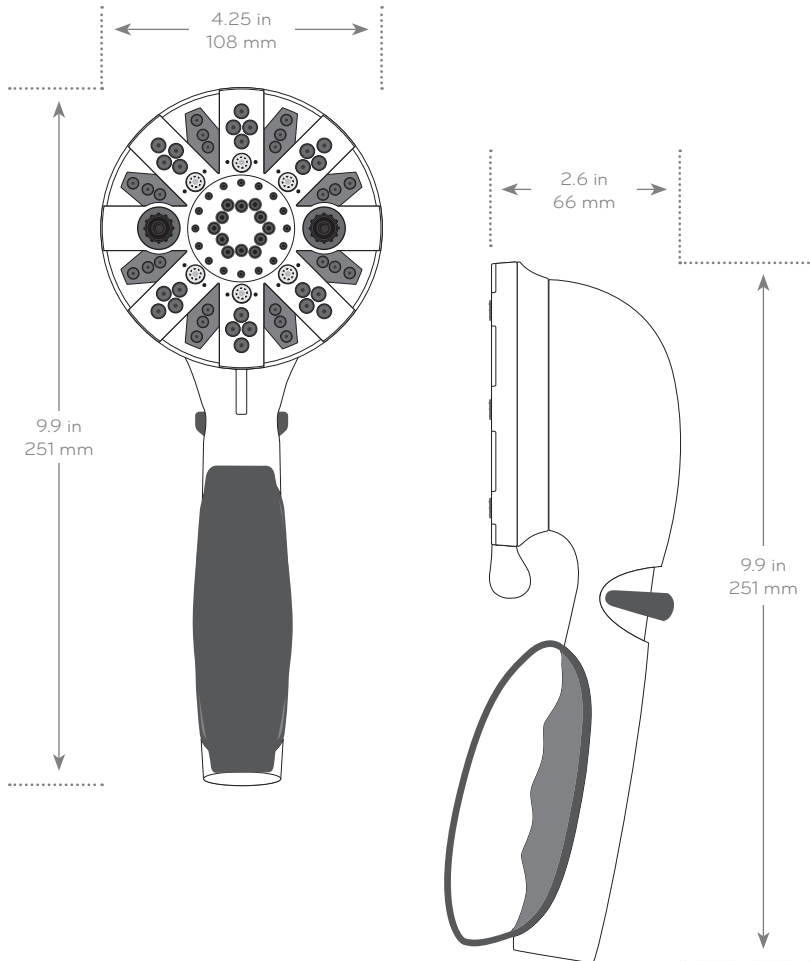


Submitted Model No.: _____

Specific Features: _____



PRODUCT SPECIFICATIONS:

- Dimensions:** 4.25" x 2.6" x 9.9"
- Weight:** 2 lbs.
- Max Flow Rate:** 1.8 GPM
- Available Finishes:** White

SETTINGS:

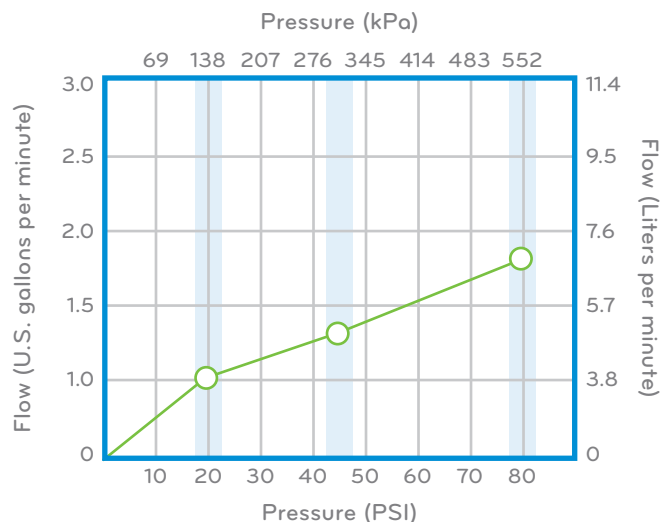


FEATURES:

- + **Powerful Multi Oxygenics spray** featuring dual Oxygenics engines.
- + **4.25" spray face adds coverage** for better rinsing.
- + **Non-slip rubber handle** for added convenience.
- + **Comfort control lever easily adjusts pressure** for a custom shower experience.
- + **Includes a 96" hose** to easily reach anywhere in the shower.
- + **Constructed of commercial components and materials** for a lifetime performance.
- + **Saves up to \$125+ dollars per year** without sacrificing shower strength.

WHAT'S INCLUDED:

- + Handheld Shower + 96" Hose + Wall Mount
- + Plumber's Tape



○ Oxygenics 1.8 GPM

"NEVER CLOG!" Warranty

Limited lifetime performance warranty against failure or clogging.

