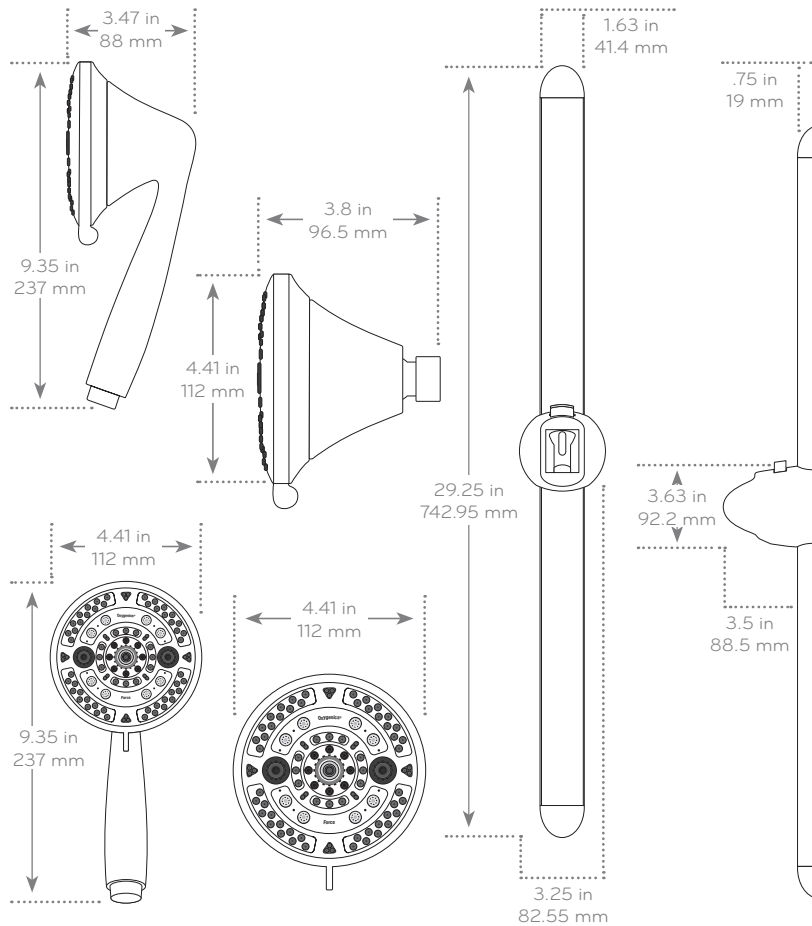




Submitted Model No.: _____

Specific Features: _____



PRODUCT SPECIFICATIONS:

- Dimensions:** 4.41" x 3.8" x 4.41" Fixed
4.41" x 3.47" x 9.35" Handheld
3.25" x 3.5" x 29.25" Slide Bar
- Weight:** 1 lb. Fixed; 2 lbs. Handheld; 1 lb. Slide Bar
- Max Flow Rate:** 1.8 GPM, 2.0 GPM
- Available Finishes:** Chrome, Brushed Nickel

SETTINGS:

120
TOTAL SPRAY COMBINATIONS

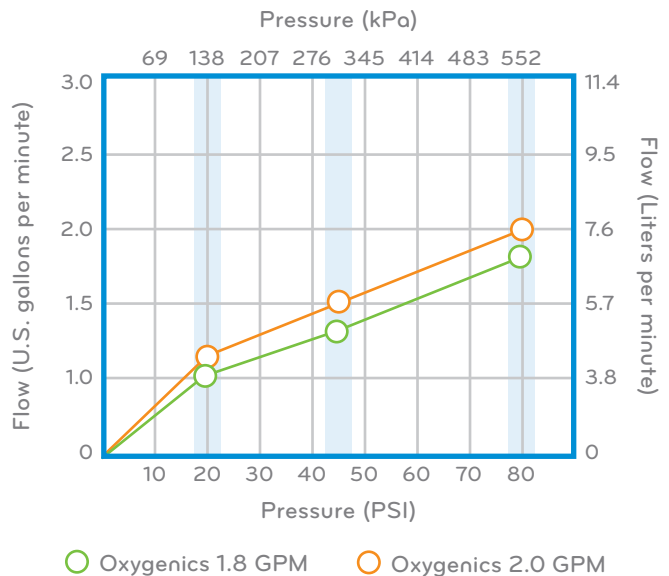
- Oxygenics
- Multi Oxygenics
- WideStream
- FocusStream
- WideStream +FocusStream
- Massage
- WideStream +Massage
- Flood
- Massage +Flood
- SmartPause®

FEATURES

- + Multifunction shower system with **powerful Oxygenics settings.**
- + **Installs in minutes on all surfaces** using commercial strength **3M** adhesive.
- + Over **120 spray combinations** possible for endless customization.
- + Slide bar engineered of **heavy-duty aluminum for long lasting performance.**
- + **Adjusts 26" in height with the push of a button** – perfect for Dad, Mom, and the entire family.

WHAT'S INCLUDED:

- + Handheld Shower + Fixed Shower + 29" Slide Bar
- + 72" Hose + Diverter + Plumber's Tape
- + 3M® Commercial Grade Tape
- + (2) 1.5" Screws + Hollow Wall Anchors



"NEVER CLOG!" Warranty

Limited lifetime performance warranty against failure or clogging.

