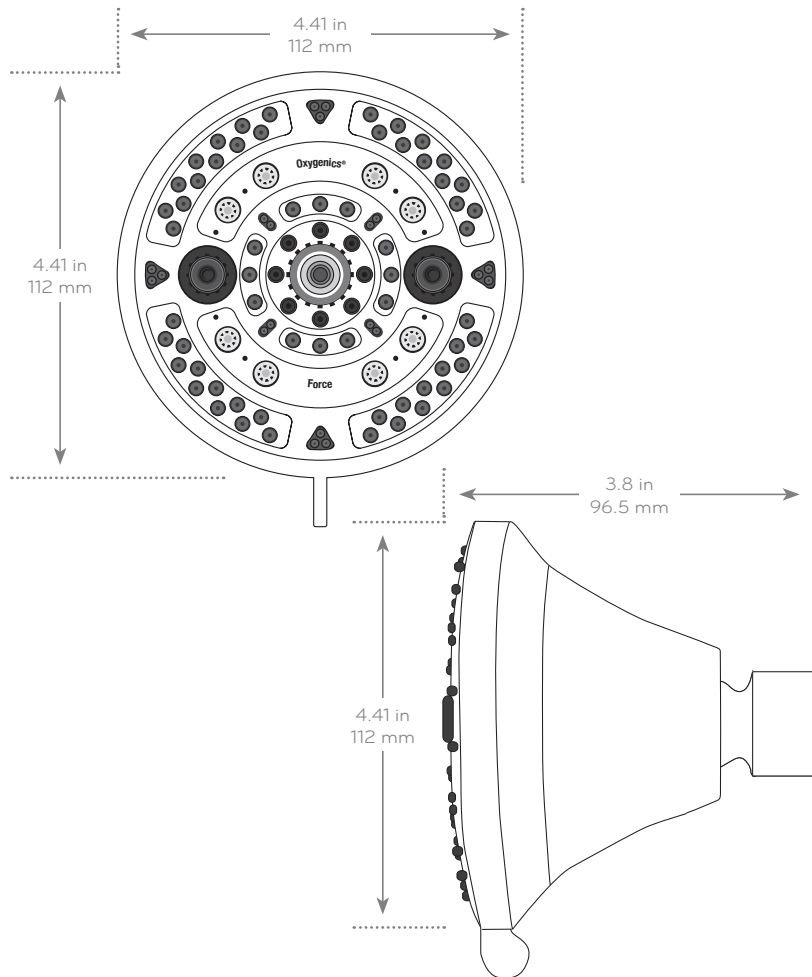




Submitted Model No.: \_\_\_\_\_

Specific Features: \_\_\_\_\_



**PRODUCT SPECIFICATIONS:**

- Dimensions:** 4.41" x 3.8" x 4.41"
- Weight:** 1 lb.
- Max Flow Rate:** 1.8 GPM, 2.0 GPM
- Available Finishes:** Chrome, Brushed Nickel

**SETTINGS:**

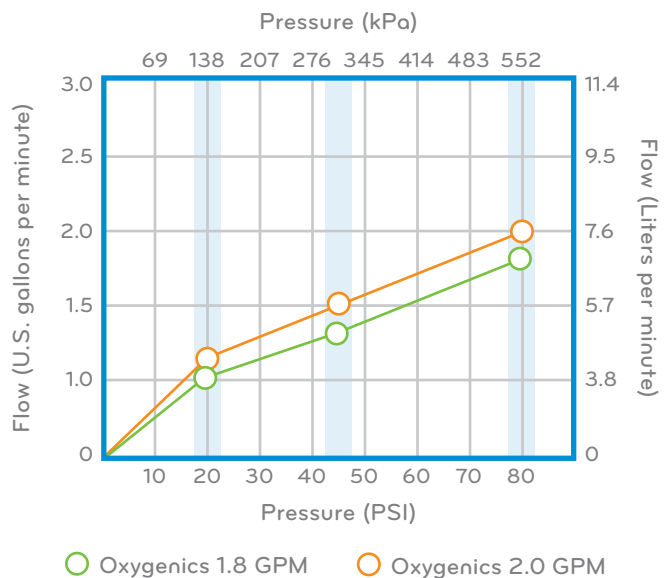


**FEATURES:**

- + Multifunction shower head with **powerful Oxygenics core.**
- + **Rain shower feel** for half the price.
- + Design and styling **based on best-selling Oxygenics models.**
- + **Saves up to \$125+ dollars per year** compared to other water wasters.
- + **Metal base and superior construction** ensure a lifetime of performance.
- + **No tools required** means quick, easy installation.

**WHAT'S INCLUDED:**

- + Fixed Shower + Plumber's Tape



**"NEVER CLOG!" Warranty**

Limited lifetime performance warranty against failure or clogging.

