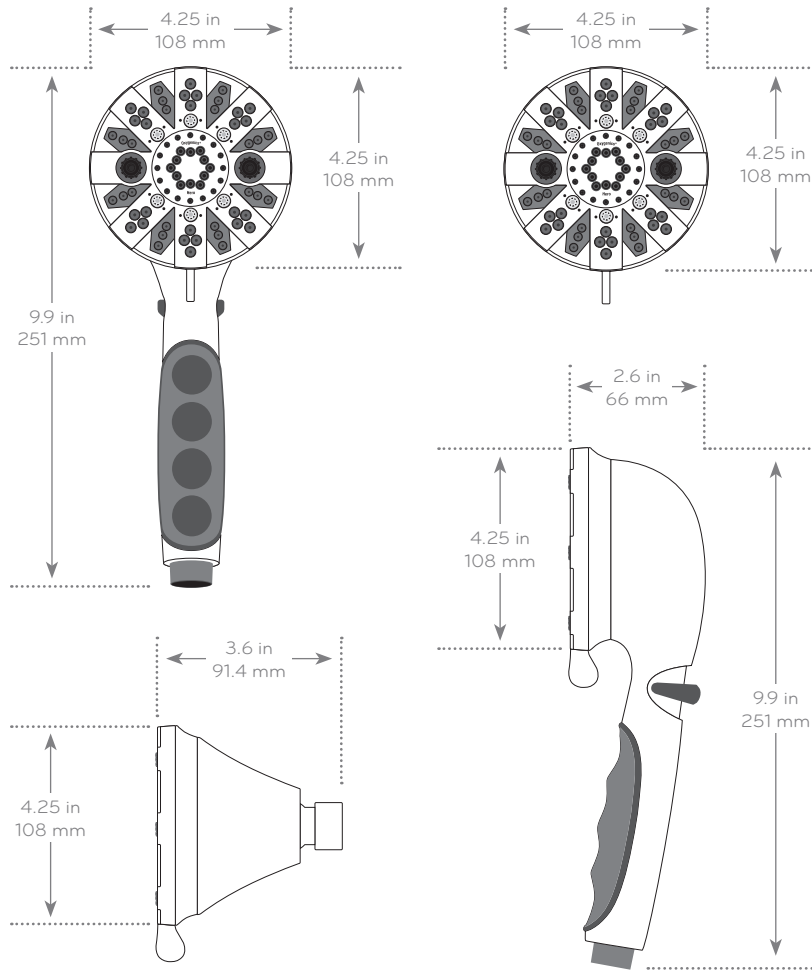


Submitted Model No.: \_\_\_\_\_

Specific Features: \_\_\_\_\_



**PRODUCT SPECIFICATIONS:**

- Dimensions:** 4.25" x 3.6" x 4.25" Fixed  
4.25" x 2.6" x 9.9" Handheld
- Weight:** 1 lbs. Fixed; 2 lbs. Handheld
- Max Flow Rate:** 1.8 GPM
- Available Finishes:** Chrome

**SETTINGS:**

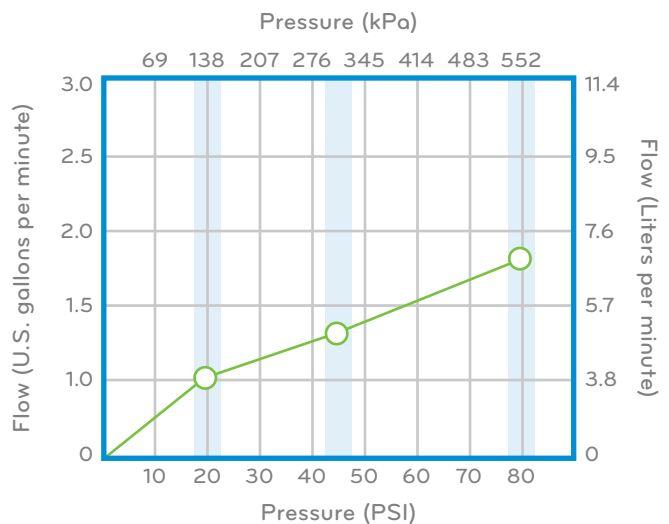


**FEATURES**

- + **Dual 7-setting shower heads** increase pressure.
- + Handheld rubber finger grip **prevents any slipping or dropping.**
- + Handheld features a comfort control lever that **easily adjusts pressure for fully custom shower.**
- + **Includes a 72" stainless steel hose** to easily reach anywhere in the shower.
- + **Metal base and non-stick internal parts** add durability for consistent performance.

**WHAT'S INCLUDED:**

- + Fixed Shower + Handheld Shower
- + 72" Stainless Steel Hose + Diverter
- + Plumber's Tape



○ Oxygenics 1.8 GPM

**"NEVER CLOG!" Warranty**

Limited lifetime performance warranty against failure or clogging.

