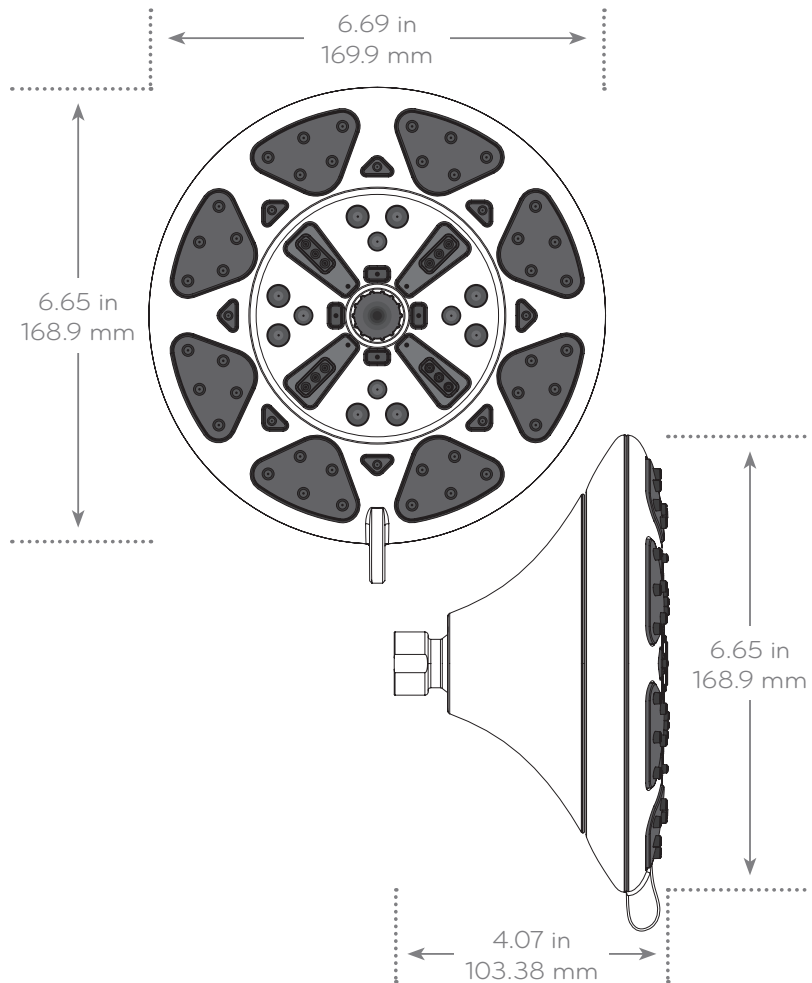




Submitted Model No.: _____

Specific Features: _____



PRODUCT SPECIFICATIONS:

- Dimensions:** 6.65" x 4.07" x 6.69"
- Weight:** .88 lbs.
- Max Flow Rate:** 1.8 GPM
- Available Finishes:** Chrome

SETTINGS:

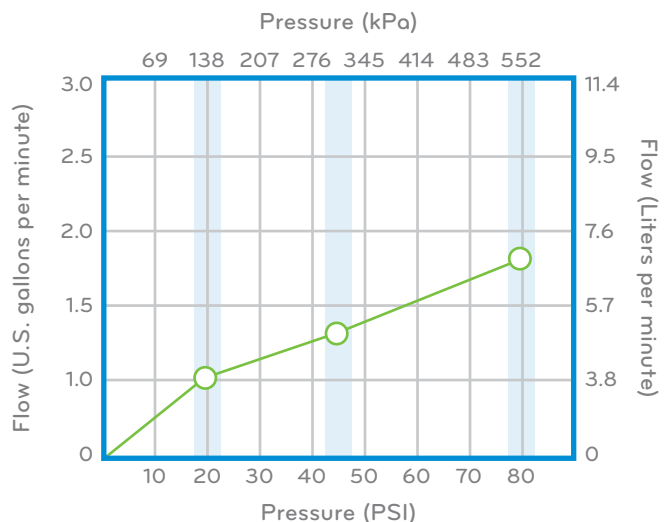


FEATURES:

- + **6 distinct settings** create a spa-like feeling in the comfort of home.
- + **Boosts water pressure**, creating a spray that is powerful and more satisfying.
- + WaterSense-certified rain shower **saves up to \$125+ per year on water and energy.**
- + **Constructed of commercial grade materials** to ensure long-lasting performance.
- + **Non-stick internal parts and metal base** add increased durability.
- + **Installs in minutes** with included plumber's tape.

WHAT'S INCLUDED:

- + Rain Shower + Plumber's Tape



○ Oxygenics 1.8 GPM

"NEVER CLOG!" Warranty

Limited lifetime performance warranty against failure or clogging.

