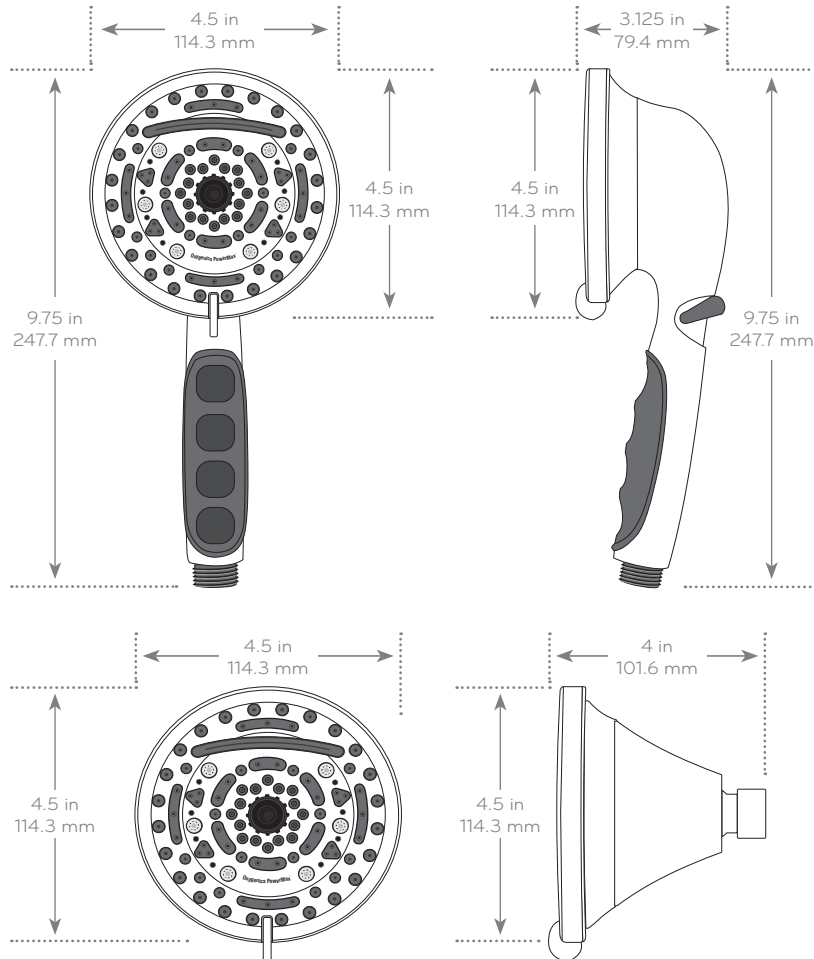




Submitted Model No.: \_\_\_\_\_

Specific Features: \_\_\_\_\_



**PRODUCT SPECIFICATIONS:**

**Dimensions:** 4.5" x 4" x 4.5" Fixed  
4.5" x 3.125" x 9.75" Handheld

**Weight:** 1 lbs. Fixed; 2 lbs. Handheld

**Max Flow Rate:** 1.8 GPM

**Available Finishes:** Brushed Nickel

**SETTINGS:**

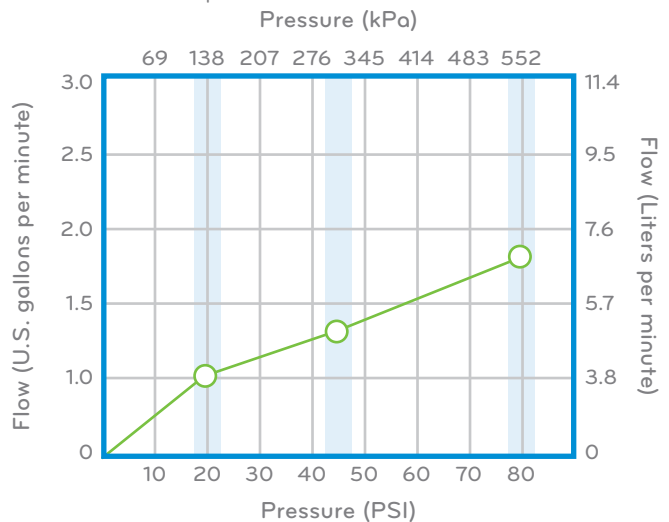


**FEATURES**

- + **Powerful spray settings including a** distinct waterfall spray.
- + **4.5" spray faces** add coverage for better rinsing.
- + Efficient **design reduces water usage** without limiting power.
- + **Saves up to \$125+ per year** on water and energy costs.
- + Non-stick internal parts and metal base add **increased durability.**
- + **Installation is fast,** easy and completed in minutes.

**WHAT'S INCLUDED:**

- + Fixed Shower + Handheld Shower
- + 72" Stainless Steel Hose + Diverter
- + Plumber's Tape



○ Oxygenics 1.8 GPM

**"NEVER CLOG!" Warranty**

Limited lifetime performance warranty against failure or clogging.

