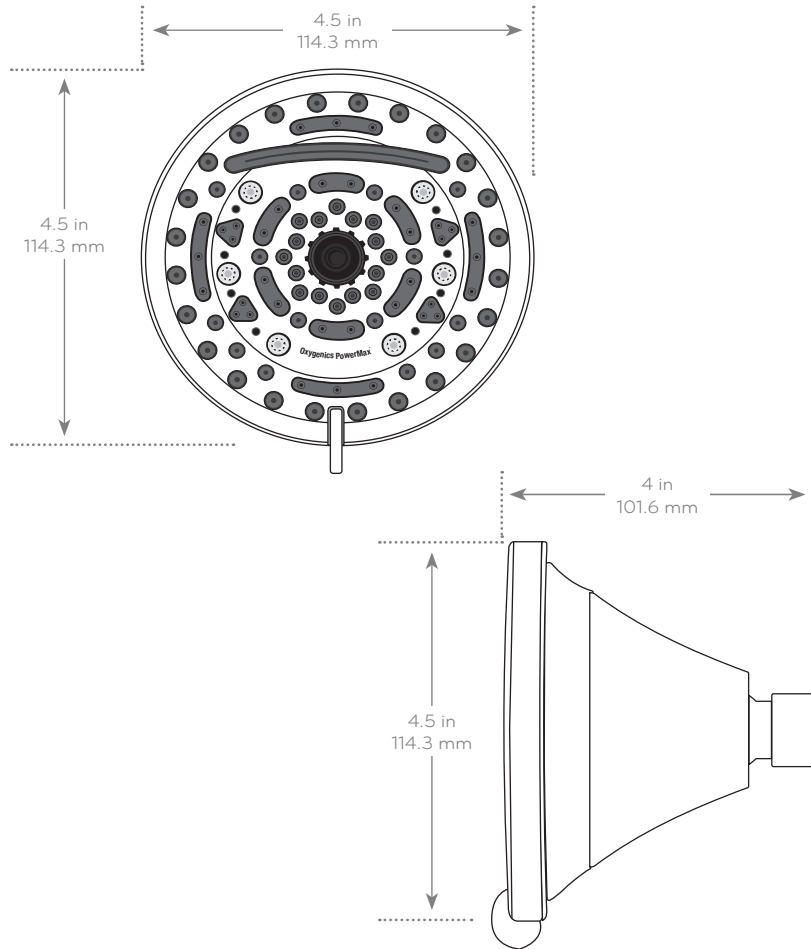




Submitted Model No.: _____

Specific Features: _____



PRODUCT SPECIFICATIONS:

- Dimensions:** 4.5" x 4" x 4.5"
- Weight:** 1 lb.
- Max Flow Rate:** 1.8 GPM, 2.0 GPM
- Available Finishes:** Chrome, Brushed Nickel

SETTINGS:

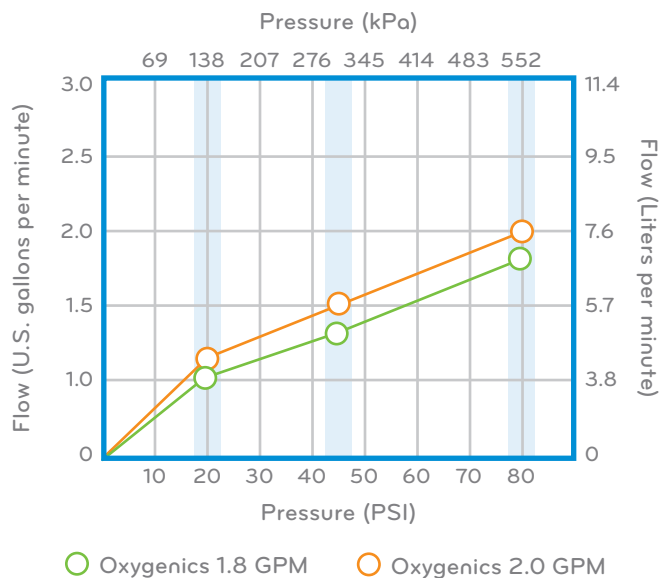


FEATURES:

- + **9 pressure boosting settings** including a unique Waterfall spray setting.
- + **4.5" spray face** adds coverage for better rinsing.
- + Efficient **design reduces water usage** without limiting power.
- + **Saves up to \$125+ per year** without sacrificing shower strength.
- + **Non-stick internal parts** prevent clogging or corrosion for consistent performance.
- + **Installation is fast,** easy and completed in minutes.

WHAT'S INCLUDED:

- + Fixed Shower + Plumber's Tape



"NEVER CLOG!" Warranty

Limited lifetime performance warranty against failure or clogging.

