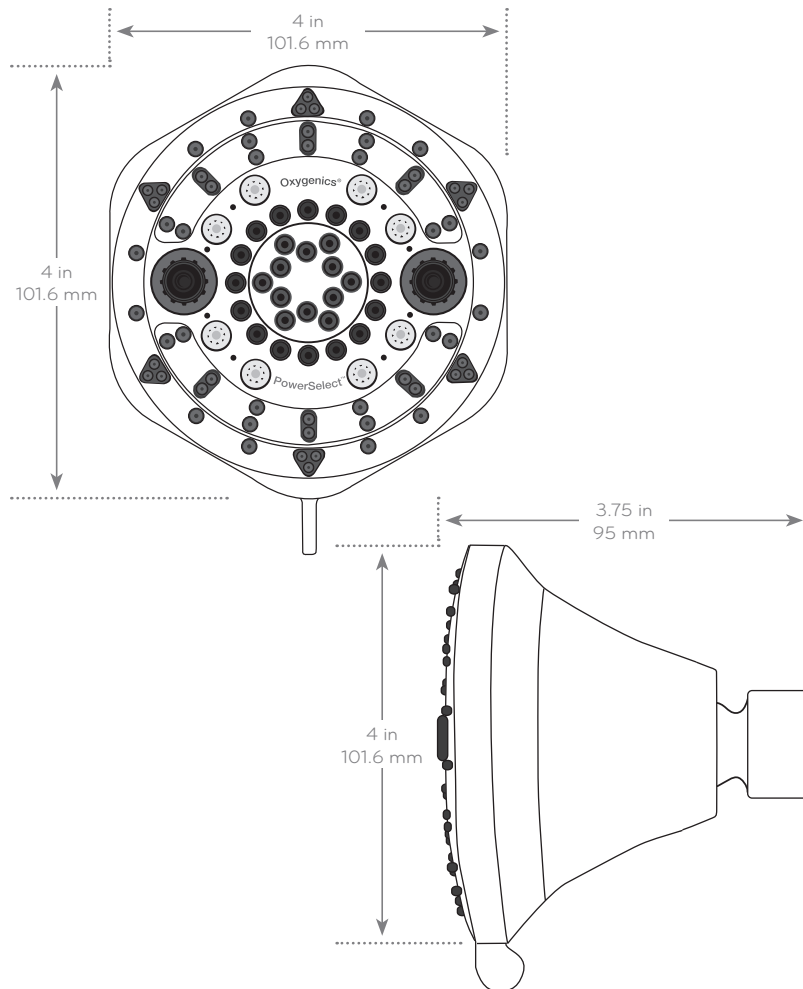




Submitted Model No.: _____

Specific Features: _____



PRODUCT SPECIFICATIONS:

- Dimensions:** 4" x 3.75" x 4"
- Weight:** 1 lb.
- Max Flow Rate:** 1.75 GPM
- Available Finishes:** Chrome, Brushed Nickel

SETTINGS:

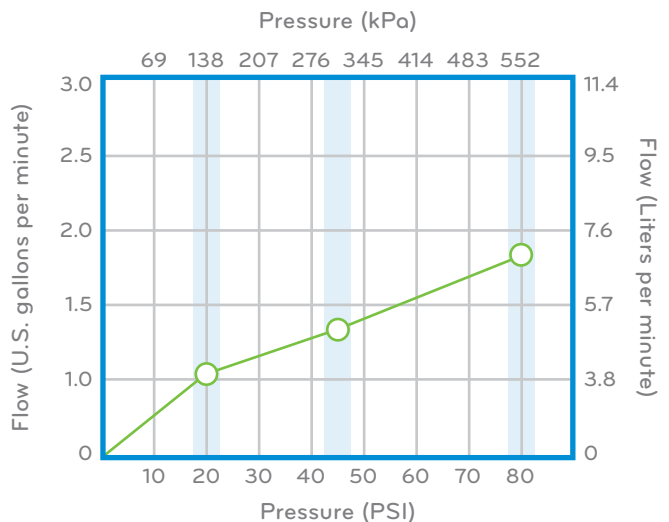


FEATURES:

- + Multi Oxygenics setting **increases both pressure and coverage.**
- + Uses less water while still delivering an **invigorating shower experience.**
- + Efficient design **saves up to \$130+ per year** by lowering water and energy usage.
- + **Easy to use spray selector** allows for fast switching between spray settings.
- + Non-stick internal parts **prevent hard mineral buildup and clogging.**
- + Features limited **lifetime warranty** against clogging or failure.

WHAT'S INCLUDED:

- + Fixed Shower + Plumber's Tape



○ Oxygenics 1.75 GPM

"NEVER CLOG!" Warranty

Limited lifetime performance warranty against failure or clogging.

