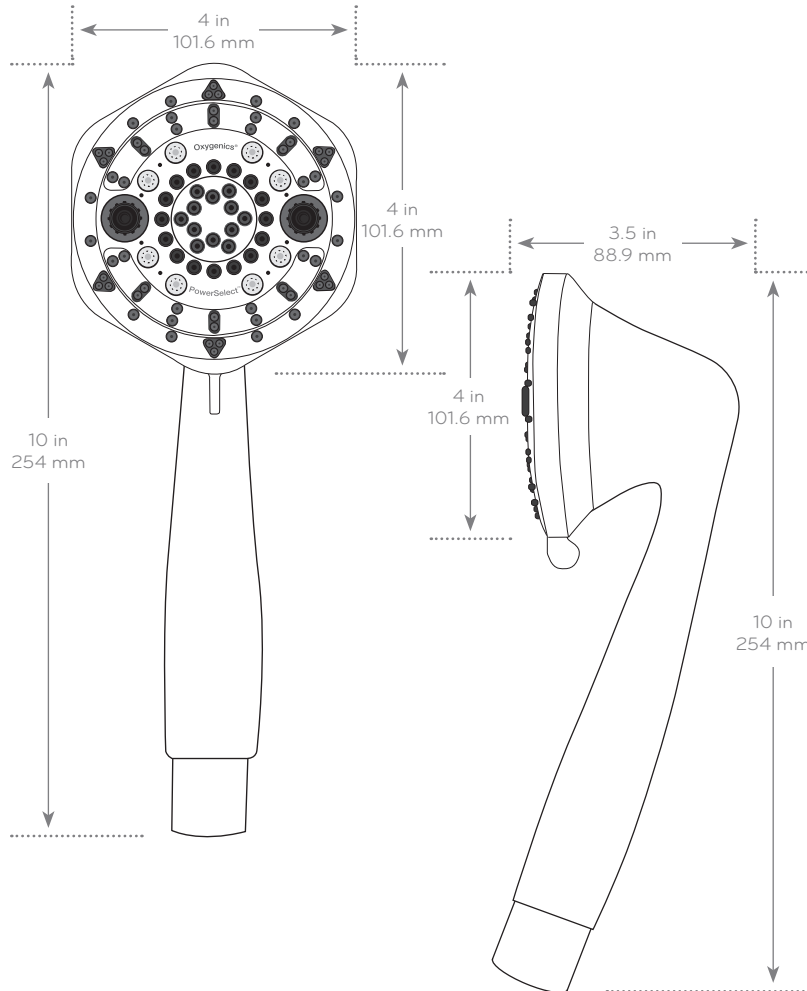


Submitted Model No.: _____

Specific Features: _____



PRODUCT SPECIFICATIONS:

- Dimensions:** 4" x 3.5" x 10"
- Weight:** 2 lbs.
- Max Flow Rate:** 1.75 GPM
- Available Finishes:** Chrome, Brushed Nickel

SETTINGS:

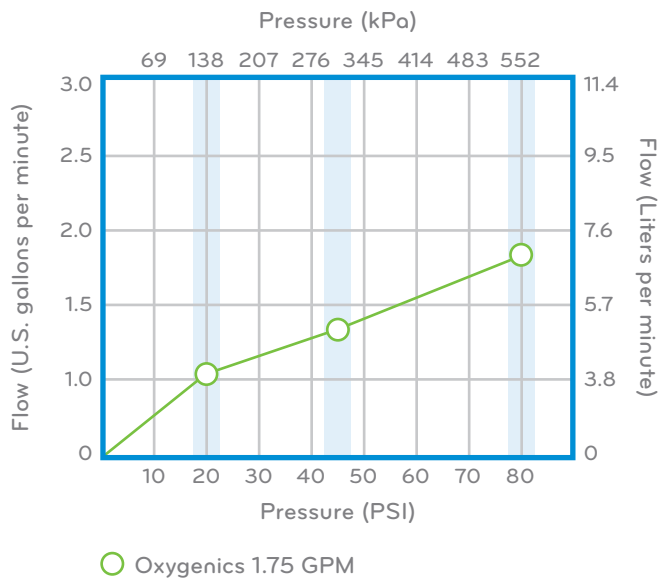


FEATURES:

- + Multi Oxygenics setting with dual Oxygenics engines **increase both pressure and coverage.**
- + Uses less water while still delivering an **invigorating shower experience.**
- + Efficient design **saves up to \$130+ per year** by lowering water and energy usage.
- + **Easy to use spray selector** allows for fast switching between spray settings.
- + **Non-stick internal parts** prevent hard mineral buildup and clogging.
- + Features **limited lifetime warranty** against clogging or failure.

WHAT'S INCLUDED:

- + Handheld Shower + 60" Hose + Holder
- + Plumber's Tape



"NEVER CLOG!" Warranty
Limited lifetime performance warranty against failure or clogging.

