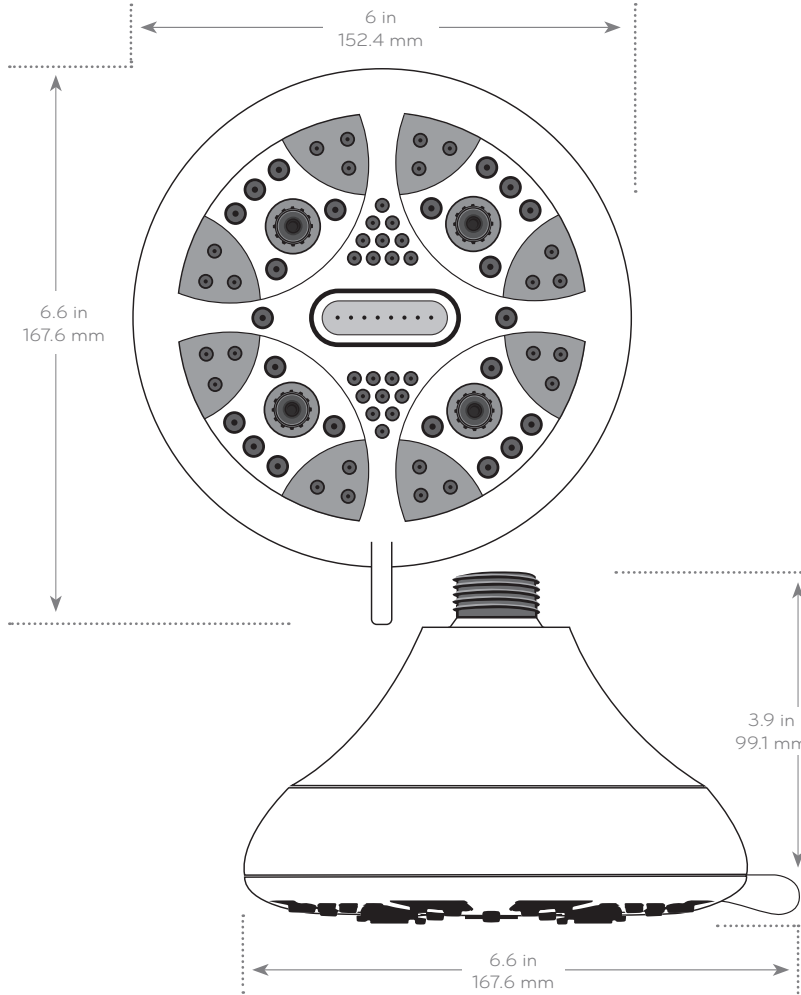




Submitted Model No.: _____

Specific Features: _____



PRODUCT SPECIFICATIONS:

- Dimensions:** 6" x 3.9" x 6.6"
- Weight:** 1.25 lbs.
- Max Flow Rate:** 1.8 GPM
- Available Finishes:** Chrome

SETTINGS:

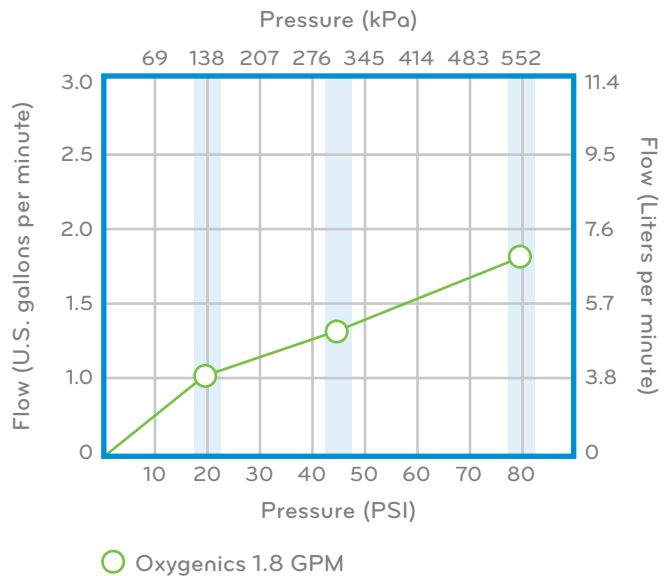


FEATURES:

- + Oxygenics spray setting features **4 powerful Oxygenics engines** for maximum spray power and coverage.
- + **6" face delivers complete coverage** so you're never out in the cold.
- + Uses less water than other rain showers, **saving up to \$125+ per year** on water and energy.
- + **Easy-to-use lever** makes switching spray settings simple.
- + **Non-stick internal parts** prevent mineral buildup and clogging for long-lasting performance.

WHAT'S INCLUDED:

- + Rain Shower + Plumber's Tape



"NEVER CLOG!" Warranty

Limited lifetime performance warranty against failure or clogging.

