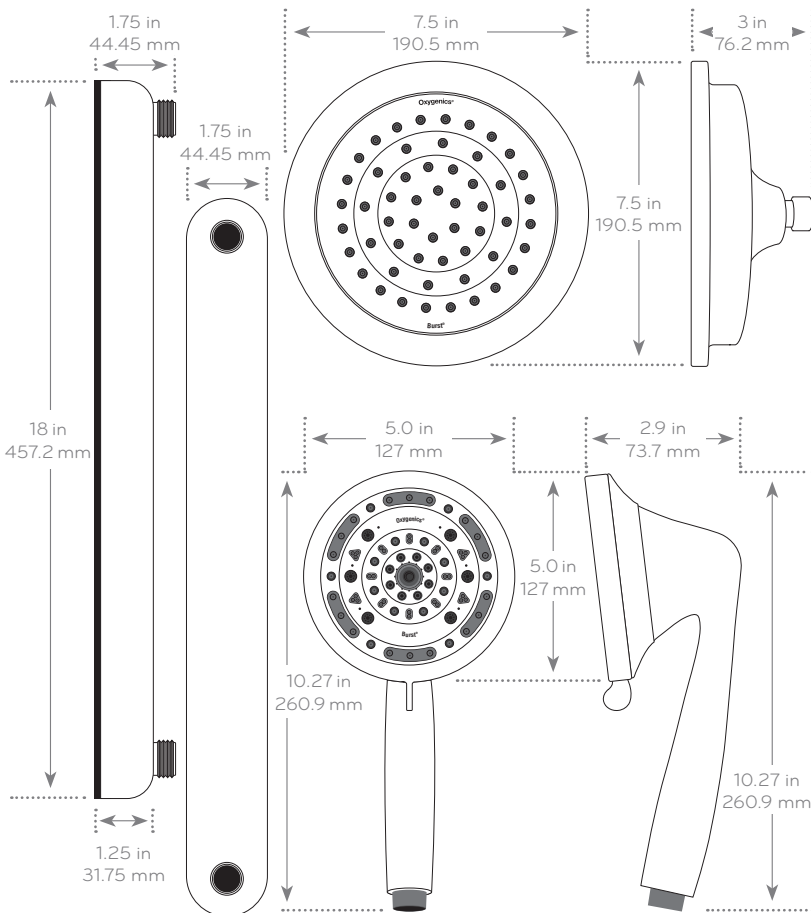




Submitted Model No.: \_\_\_\_\_

Specific Features: \_\_\_\_\_



**PRODUCT SPECIFICATIONS:**

- Dimensions:** 7.5" x 3.0" x 7.5" Rain  
5.0" x 2.9" x 10.27" Handheld  
1.75" x 1.75" x 18" RainBar
- Weight:** .85 lbs. Rain; .65 lbs. Handheld;  
.50 lbs. RainBar
- Max Flow Rate:** 1.8 GPM
- Available Finishes:** Brushed Nickel

**SETTINGS:**

**17**  
TOTAL SPRAY COMBINATIONS

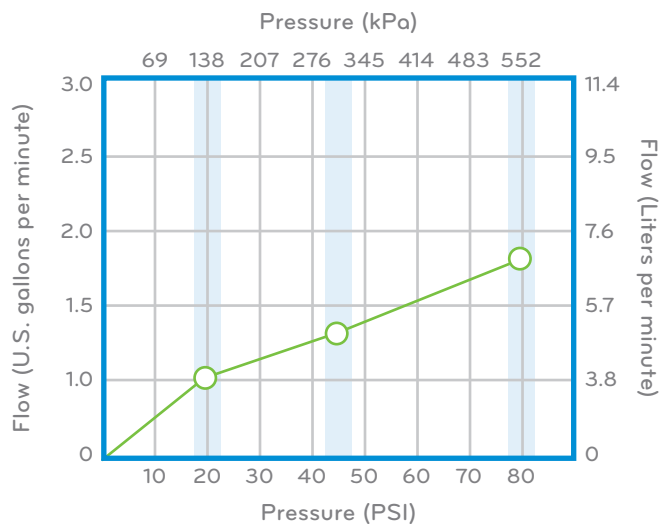
- Oxygenics
- WideStream
- FocusStream
- WideStream + FocusStream
- Oxygenated Rain
- Massage
- WideStream + Massage
- Flood
- Flood + FocusStream

**FEATURES:**

- + RainBar provides an **authentic rain shower feel.**
- + **Dual shower heads with 5" and 7.5" faces** for 12.5" total coverage area.
- + Handheld shower head has 8 spray settings for up to **17 possible spray combinations.**
- + **Includes 72" stainless steel hose** for added reach and ease of use.
- + **Saves up to \$125+ per year** on water and energy costs.
- + **Non-stick internal parts and metal base** add increased durability.

**WHAT'S INCLUDED:**

- + RainBar + Rain Shower + Handheld Shower Head
- + 30" Stainless Steel Hose + 72" Stainless Steel Hose + 3-Way Diverter + Wall Mount Kit + (3) 1.5" Screws & (3) Hollow Wall Anchors + Hex Key with Set Screw + Masonry Drill Bit + Plumber's Tape



○ Oxygenics 1.8 GPM

**"NEVER CLOG!" Warranty**

Limited lifetime performance warranty against failure or clogging.

