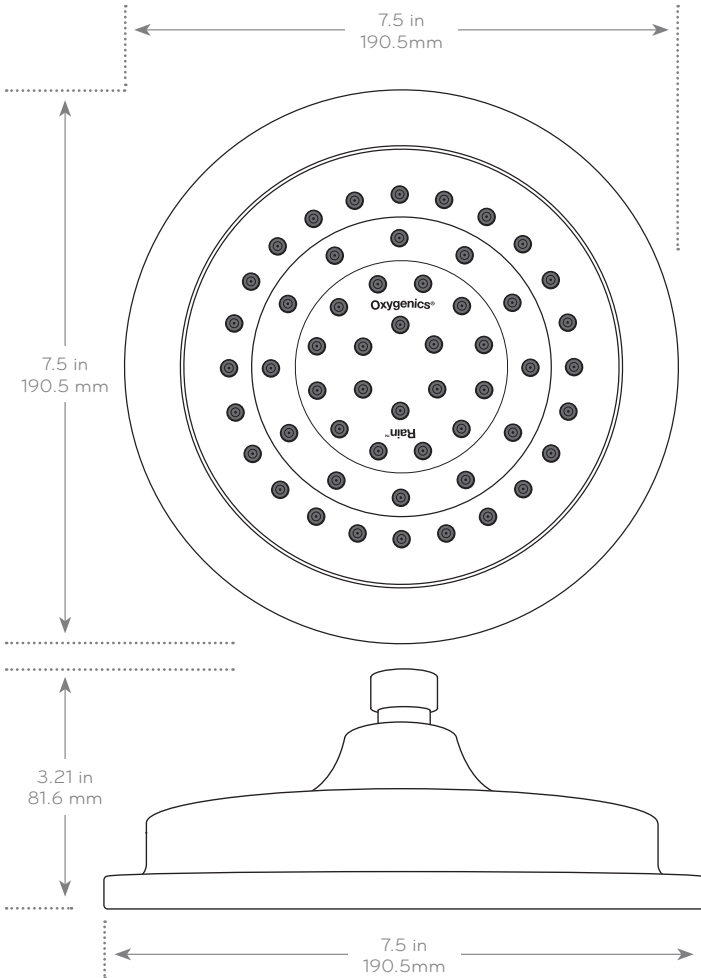




Submitted Model No.: _____

Specific Features: _____



PRODUCT SPECIFICATIONS:

- Dimensions:** 7.5" x 3.21" x 7.5"
Weight: 2 lbs.
Max Flow Rate: 1.75 GPM
Available Finishes: Chrome, Brushed Nickel

SETTINGS:



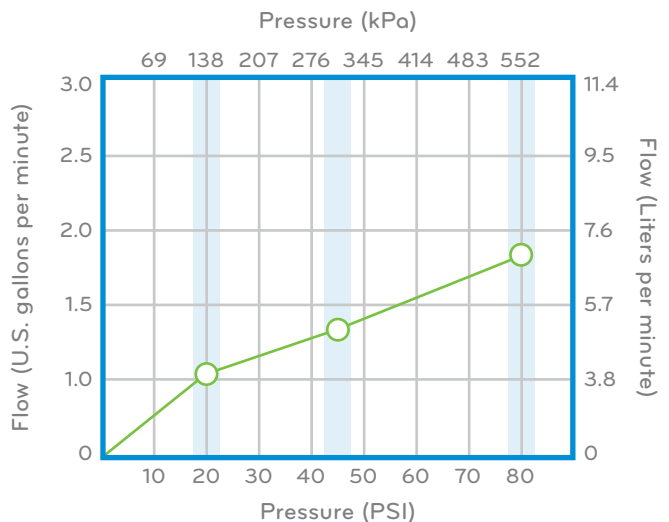
Oxygenated Rain

FEATURES:

- + High quality metal base and non-stick internal materials **ensure long-lasting performance.**
- + 7.5" face delivers **complete coverage** so you're never out in the cold.
- + **9" adjustable shower arm** provides flexibility for a more versatile shower experience.
- + Uses less water than other rain showers, **saving up to \$130+ per year** on water and energy.

WHAT'S INCLUDED:

- + Rain Shower + 9" Adjustable Arm
- + Plumber's Tape



○ Oxygenics 1.75 GPM

"NEVER CLOG!" Warranty

Limited lifetime performance warranty against failure or clogging.

