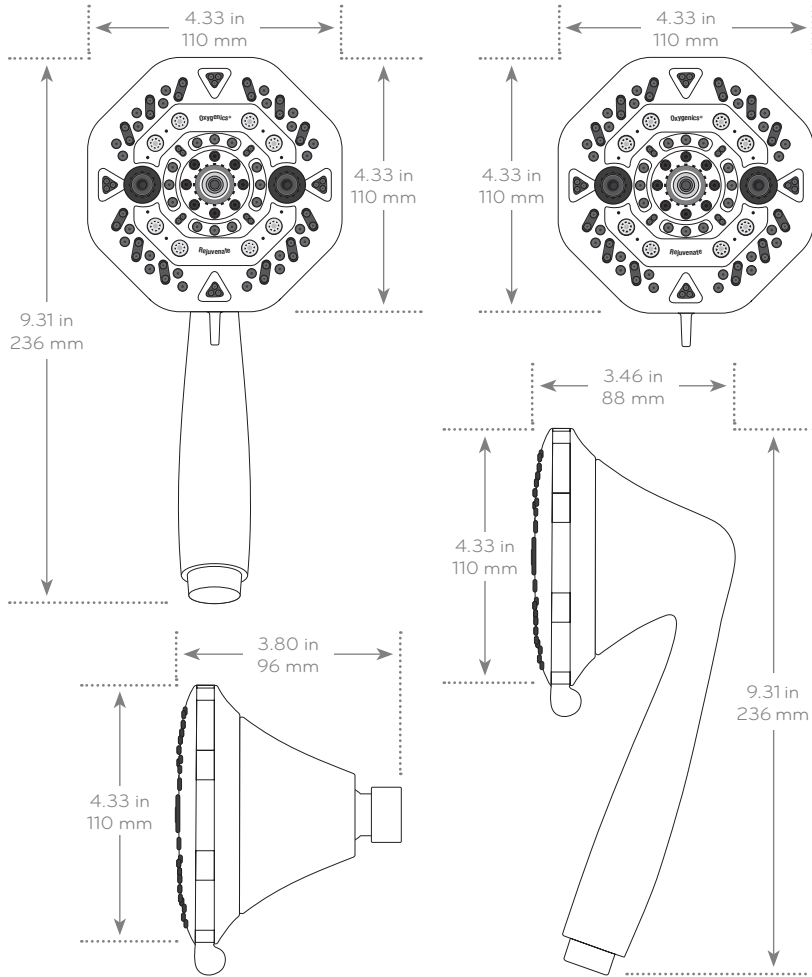




Submitted Model No.: _____

Specific Features: _____



PRODUCT SPECIFICATIONS:

- Dimensions:** 4.33" x 3.80" x 4.33" Fixed
4.33" x 3.46" x 9.31" Handheld
- Weight:** 1 lbs. Fixed; 2 lbs. Handheld
- Max Flow Rate:** 2.0 GPM
- Available Finishes:** Chrome, Brushed Nickel

SETTINGS:

120
TOTAL SPRAY COMBINATIONS

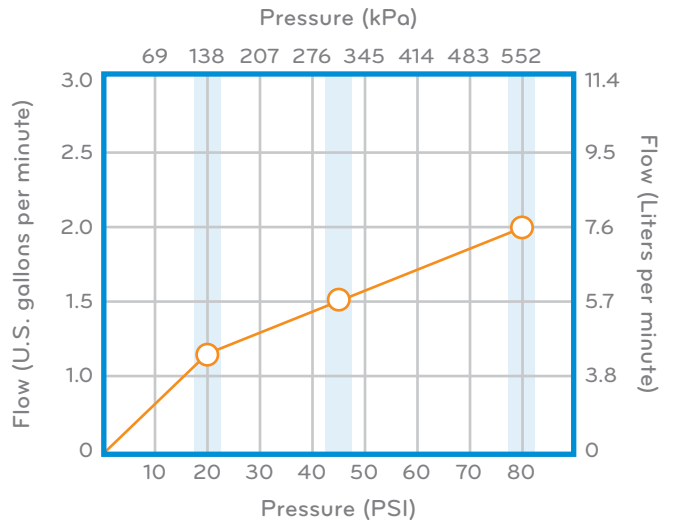
- Oxygenics
- Multi Oxygenics
- WideStream
- FocusStream
- WideStream +FocusStream
- Massage
- WideStream +Massage
- Flood
- Flood +FocusStream
- SmartPause®

FEATURES

- + Multifunction shower system with **powerful Oxygenics core.**
- + Use each shower head **individually or both together** with intuitive diverter.
- + **Over 120 spray combinations** possible for endless customization.
- + 4.3" face for **wider coverage.**
- + Rain shower feel for **half the price.**
- + **Saves up to \$85+ dollars per year** compared to other water wasters.
- + **72" hose for expanded reach** and ease of rinsing.

WHAT'S INCLUDED:

- + Fixed Shower + Handheld Shower + 72" Hose
- + Diverter + Plumber's Tape



○ Oxygenics 2.0 GPM

"NEVER CLOG!" Warranty

Limited lifetime performance warranty against failure or clogging.

