

27223 Chrome



1.5 GPM

27267 Chrome  
27227 Chrome

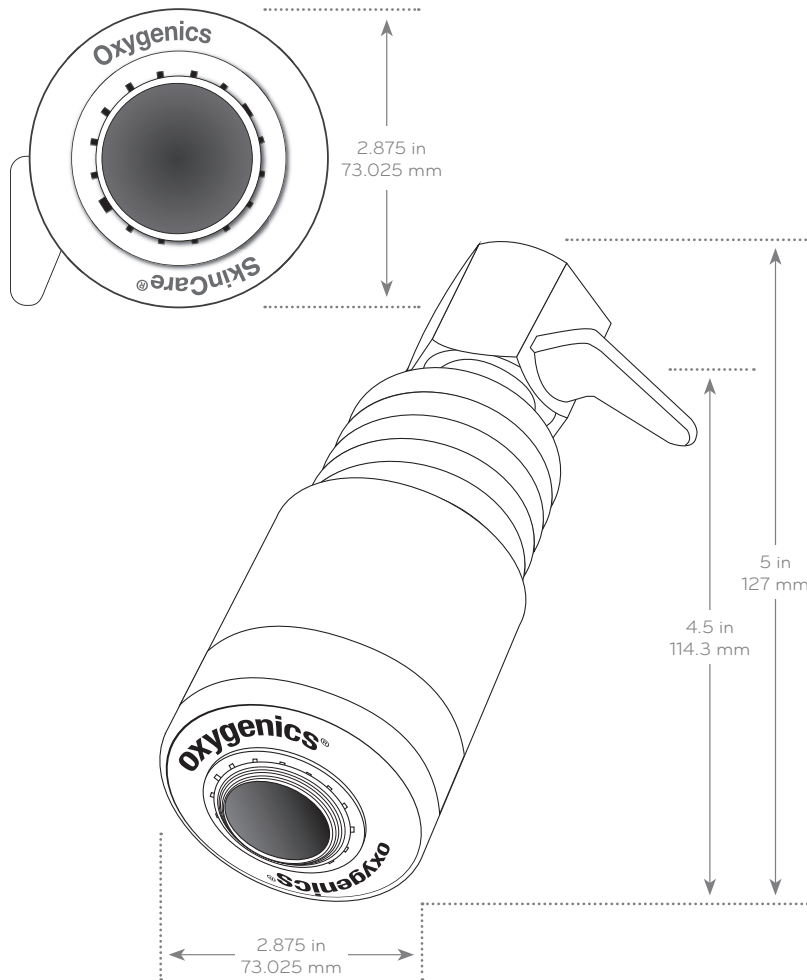
27567 Brushed Nickel



2.0 GPM

Submitted Model No.: \_\_\_\_\_

Specific Features: \_\_\_\_\_



**PRODUCT SPECIFICATIONS:**

- Dimensions:** 2.875" x 5" x 2.875"
- Weight:** 0.65 lb.
- Max Flow Rate:** 1.5 GPM, 2.0 GPM
- Available Finishes:** Chrome, Brushed Nickel

**SETTINGS:**



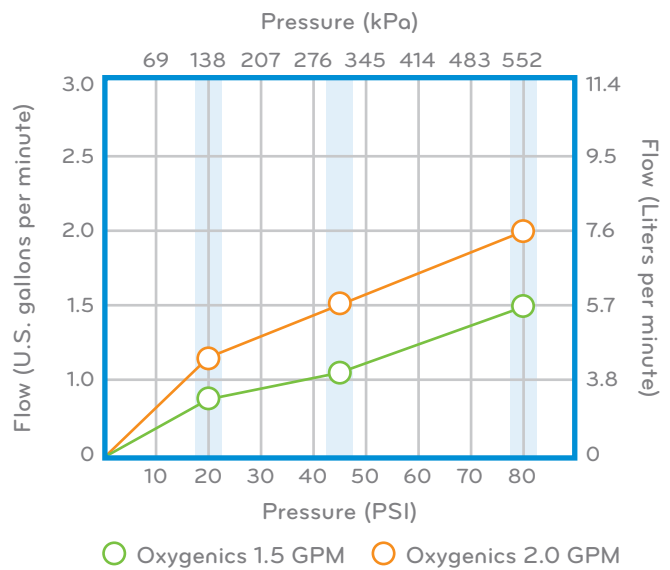
Oxygenics with Comfort Control

**FEATURES:**

- + **Powerful Oxygenics engine amplifies water pressure**, turning weak showers into powerful showers in just minutes.
- + Efficient design reduces water usage and energy costs, **saving up to \$130+ per year.**
- + **Comfort control easily adjusts** the level of water pressure strength.
- + Technology strengthens spray and **increases oxygen content.**
- + **Quality construction** and non-stick internal materials deliver continuous performance.
- + **Includes a lifetime warranty** never to clog or fail.

**WHAT'S INCLUDED:**

- + Fixed Shower + Plumber's Tape



**"NEVER CLOG!" Warranty**

Limited lifetime performance warranty against failure or clogging.

