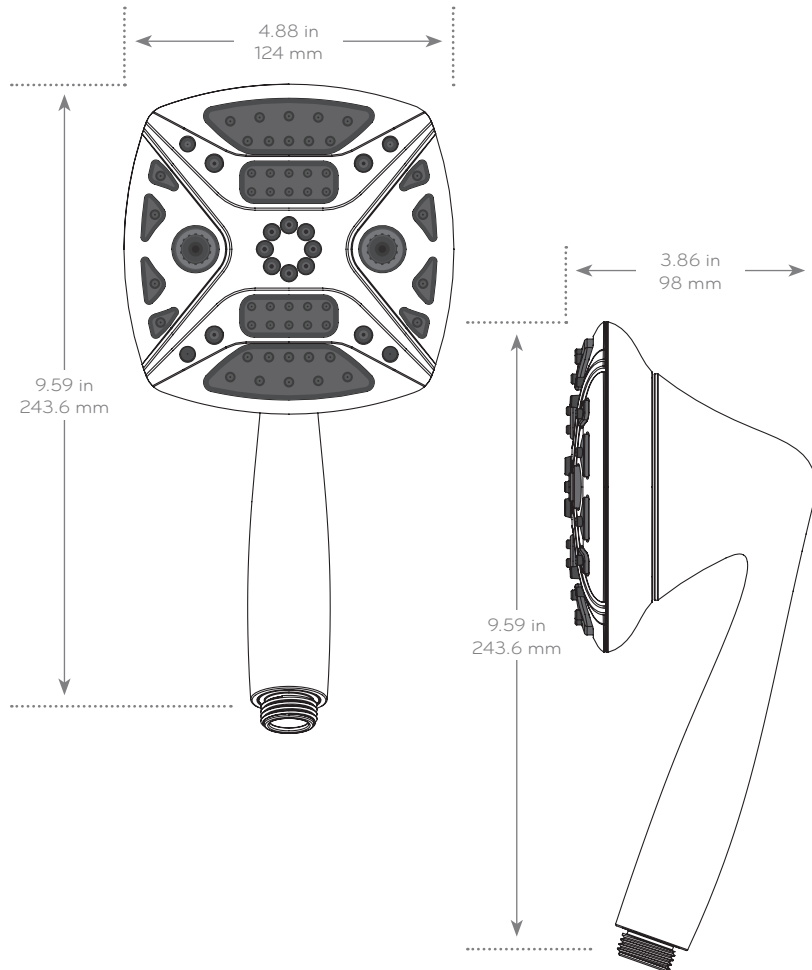




Submitted Model No.: _____

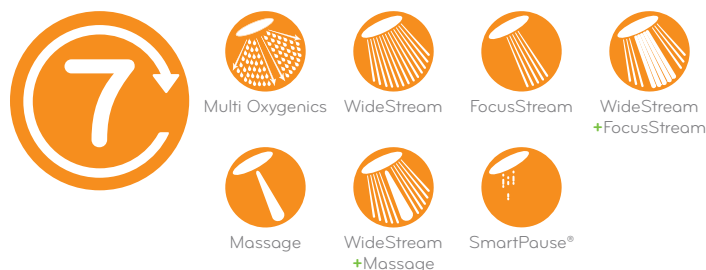
Specific Features: _____



PRODUCT SPECIFICATIONS:

- Dimensions:** 4.88" x 3.86" x 9.59"
- Weight:** 2 lbs.
- Max Flow Rate:** 1.8 GPM
- Available Finishes:** Chrome

SETTINGS:

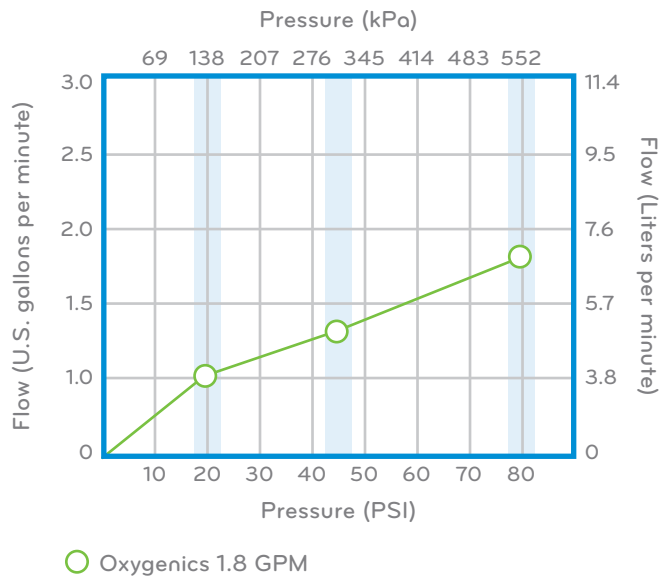


FEATURES:

- + **7 total spray settings** provide a personalized shower experience.
- + **Unique shape and design** adds style and functionality.
- + **4.88" large face** for improved spray coverage.
- + **72" hose** for expanded reach and ease of rinsing.
- + Highly efficient design uses only 1.8 GPM, **saving up to \$125+ per year.**
- + **Non-stick internal parts** increase durability and eliminate clogging.

WHAT'S INCLUDED:

- + Handheld Shower + 72" Hose
- + Holder + Plumber's Tape



"NEVER CLOG!" Warranty

Limited lifetime performance warranty against failure or clogging.

