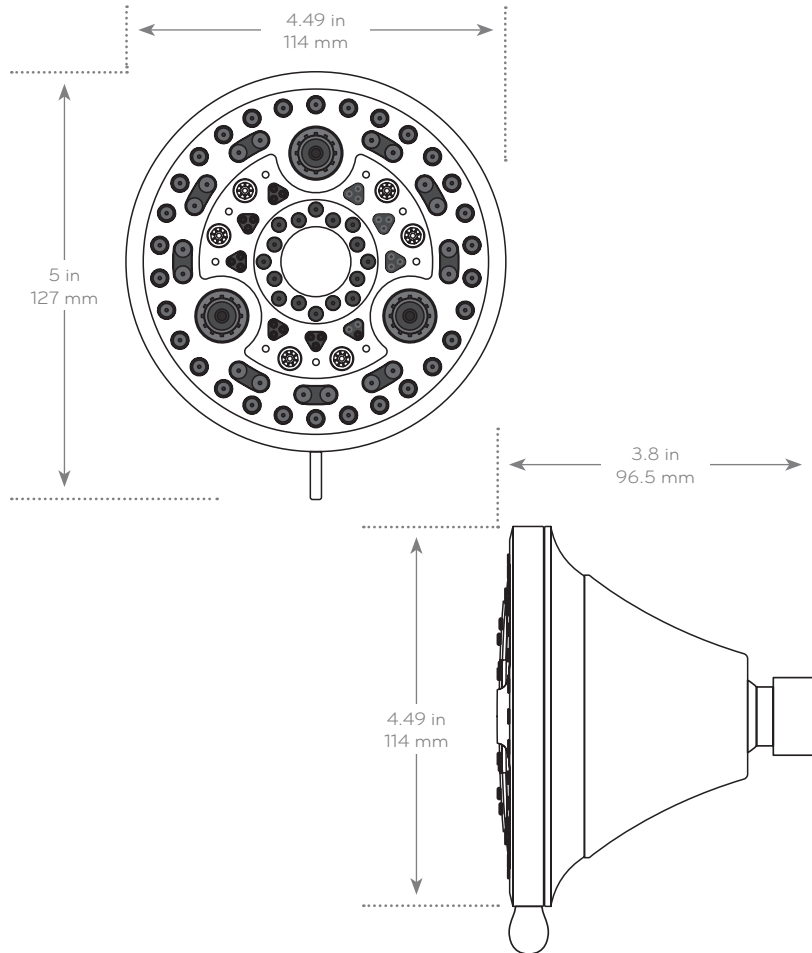




Submitted Model No.: \_\_\_\_\_

Specific Features: \_\_\_\_\_



**PRODUCT SPECIFICATIONS:**

- Dimensions:** 4.49" x 3.8" x 4.49"
- Weight:** .57 lb.
- Max Flow Rate:** 1.8 GPM
- Available Finishes:** Chrome, Brushed Nickel

**SETTINGS:**

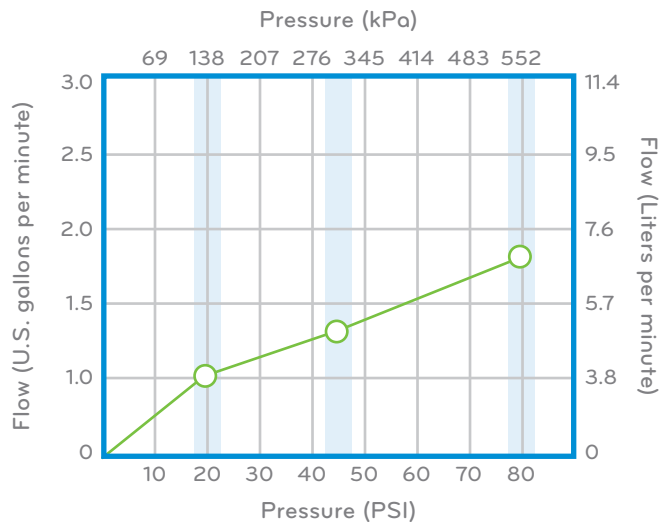


**FEATURES:**

- + **6 spray settings** including a Multi Oxygenics setting with 3 powerful Oxygenics engines.
- + **4.5" spray face adds coverage** for better rinsing.
- + Efficient **design reduces water usage** without limiting power.
- + **Saves up to \$125+ per year** on water and energy costs.
- + **Metal base adds durability** while non-stick internal parts prevent clogging or buildup.
- + **Plumber's tape included** for hassle free installation.

**WHAT'S INCLUDED:**

- + Fixed Shower + Plumber's Tape



○ Oxygenics 1.8 GPM

**"NEVER CLOG!" Warranty**

Limited lifetime performance warranty against failure or clogging.

