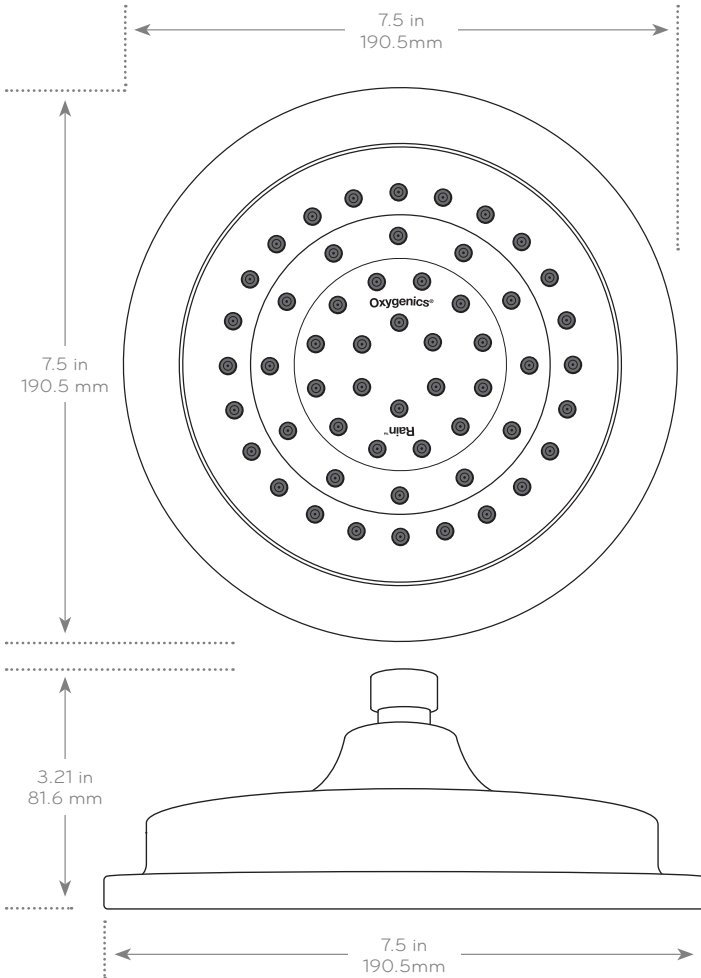




Submitted Model No.: _____

Specific Features: _____



PRODUCT SPECIFICATIONS:

- Dimensions:** 7.5" x 3.21" x 7.5"
- Weight:** 2 lbs.
- Max Flow Rate:** 1.75 GPM
- Available Finishes:** Chrome, Brushed Nickel, Oil Rubbed Bronze, Matte Black

SETTINGS:



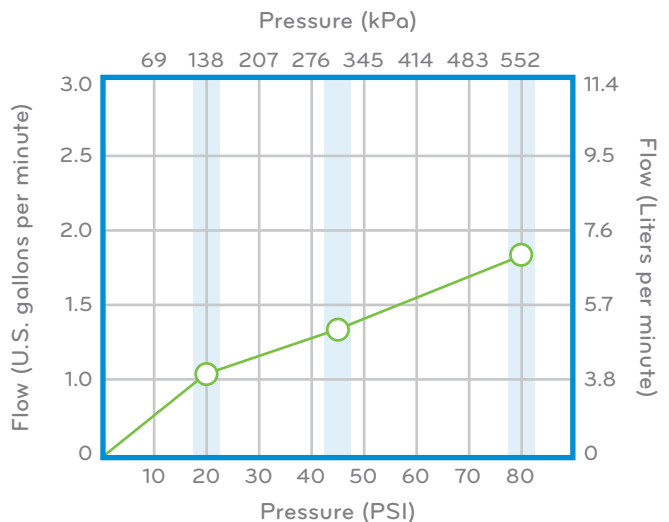
Oxygenated Rain

FEATURES:

- + **Large 7.5" face ensures wide coverage** for a more comfortable rain shower.
- + **Boosts water pressure**, creating a spray that is powerful and more satisfying.
- + WaterSense certified rain shower **saves up to \$130+ per year** on water and energy.
- + Constructed of **commercial grade materials** to ensure long-lasting performance.
- + Non-stick internal parts and metal base add **increased durability**.
- + **Installs in minutes** with included plumber's tape.

WHAT'S INCLUDED:

- + Rain Shower + Plumber's Tape



○ Oxygenics 1.75 GPM

"NEVER CLOG!" Warranty

Limited lifetime performance warranty against failure or clogging.

