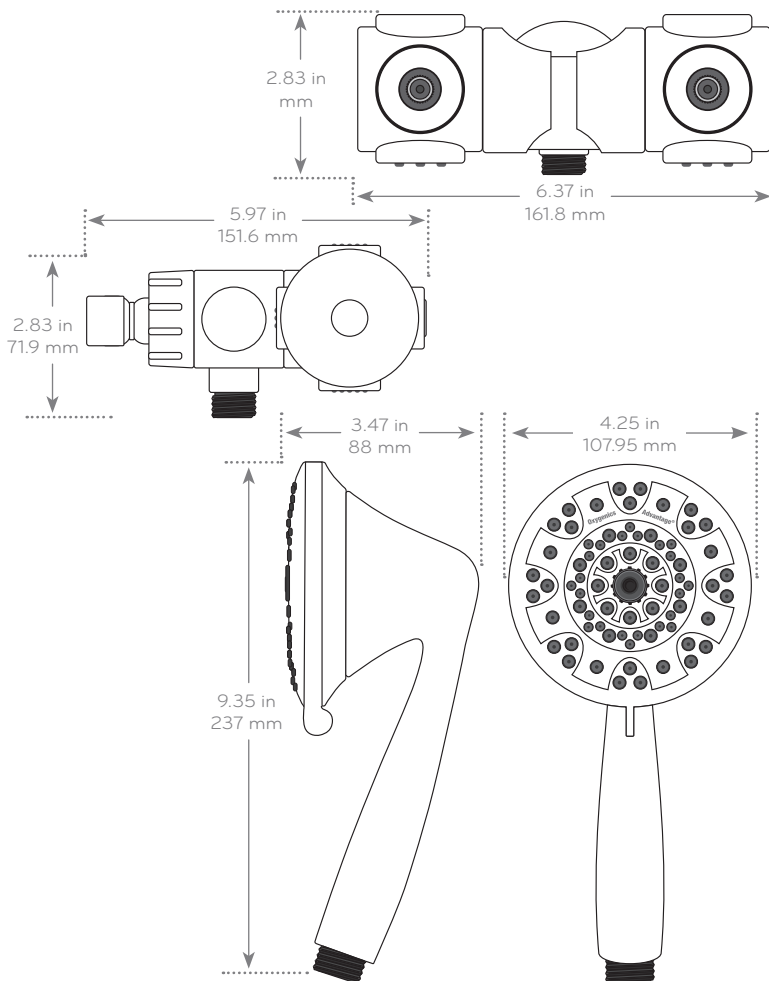


Submitted Model No.: _____

Specific Features: _____



PRODUCT SPECIFICATIONS:

- Dimensions:** 6.37" x 5.97" x 2.83" Spin
4.25" x 3.47" x 9.35" Handheld
- Weight:** .8lbs. Spin; .5lbs. Handheld
- Max Flow Rate:** 1.8 GPM
- Available Finishes:** Chrome, Brushed Nickel

SETTINGS:

30 TOTAL SPRAY COMBINATIONS

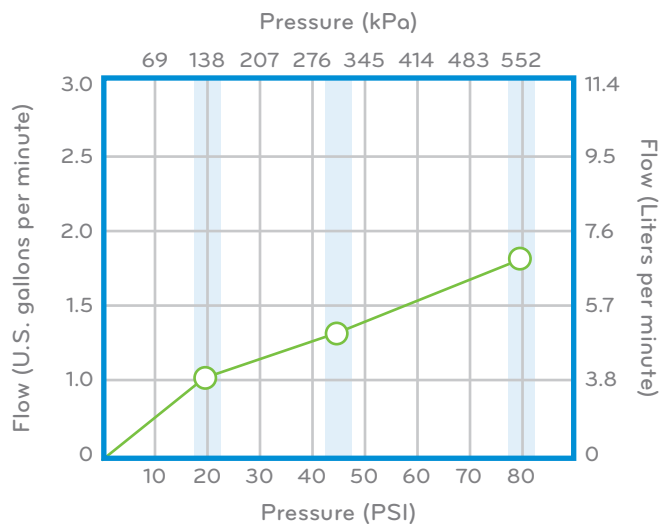
- Oxygenics
- WideStream
- FocusStream
- WideStream +FocusStream
- Massage
- WideStream +Massage
- Oxygenics
- WideStream
- Massage
- Silk

FEATURES

- + **Powerful Oxygenics spray** featuring the Oxygenics Engine!
- + **Use the handheld by itself or with the Spin** to create your own custom spray combinations.
- + Switch between **30 different setting combinations** with ease.
- + **Saves up to \$125+ per year** by lowering water and energy usage.
- + **72" stainless steel hose** for added reach
- + **Non-stick internal parts** prevent hard mineral buildup and clogging.
- + **Features limited lifetime warranty** against clogging or failure.

WHAT'S INCLUDED:

- + Handheld Shower + Spin + 72" Stainless Steel Hose + Silk Removal Tool + Plumber's Tape



○ Oxygenics 1.8 GPM

"NEVER CLOG!" Warranty

Limited lifetime performance warranty against failure or clogging.

