



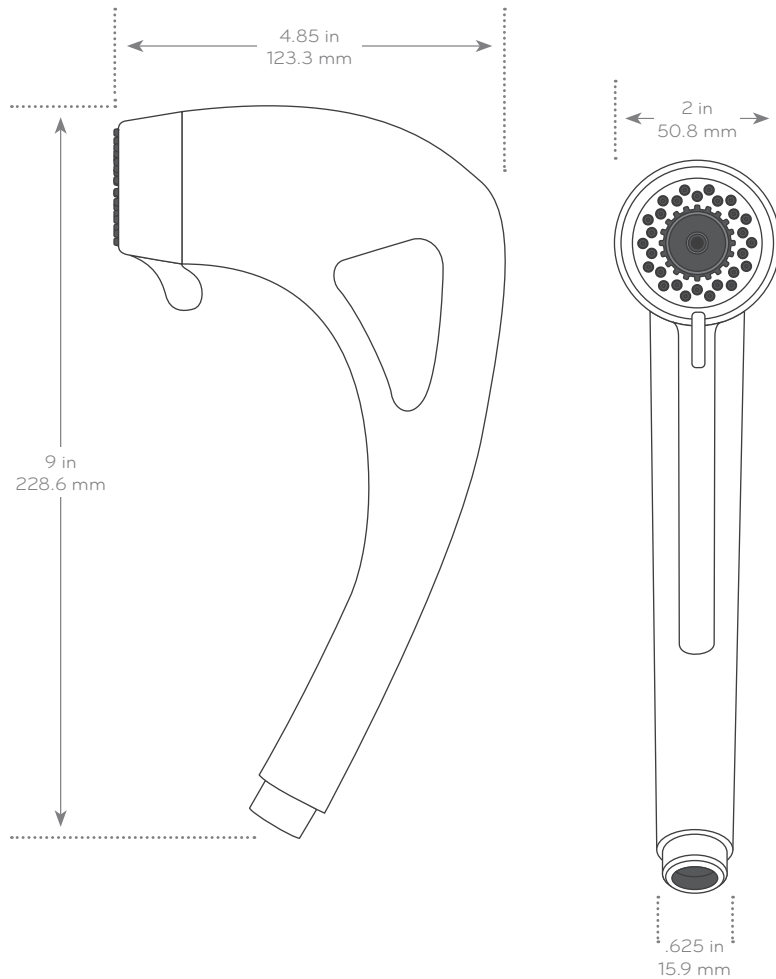
1.8 GPM



2.0 GPM

Submitted Model No.: _____

Specific Features: _____



PRODUCT SPECIFICATIONS:

- Dimensions:** 2" x 4.85" x 9"
- Weight:** 2 lbs.
- Max Flow Rate:** 1.8 GPM, 2.0 GPM
- Available Finishes:** Chrome, Brushed Nickel, White, Black

SETTINGS:

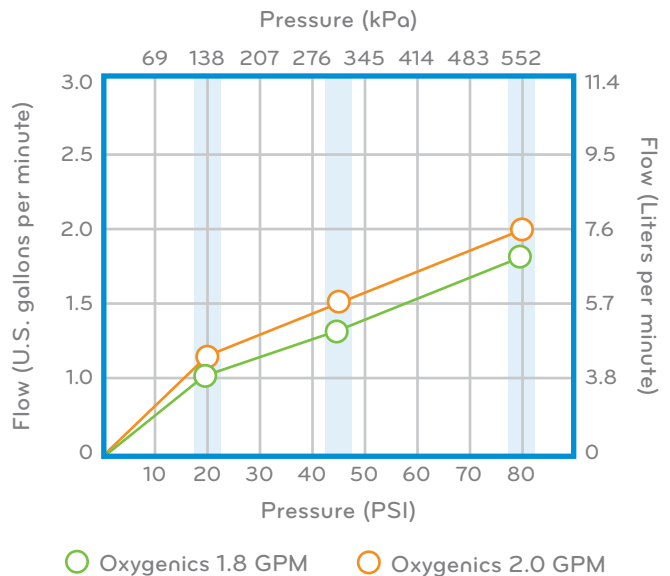


FEATURES:

- + Design based off **bestselling RV shower head at Camping World.**
- + **Powerful Oxygenics setting amplifies water pressure** even with tank restrictions.
- + Design includes a built in **SmartPause® setting that preserves water in tanks.**
- + **Switch between 3 different settings** with intuitive spray selector.
- + **72" hose adds length for easy cleaning** in hard to reach places.
- + **Constructed of commercial components and materials** for consistent performance.

WHAT'S INCLUDED:

- + Handheld Shower + 72" Hose + Wall Mount
- + Plumber's Tape



"NEVER CLOG!" Warranty
Limited lifetime performance warranty against failure or clogging.

