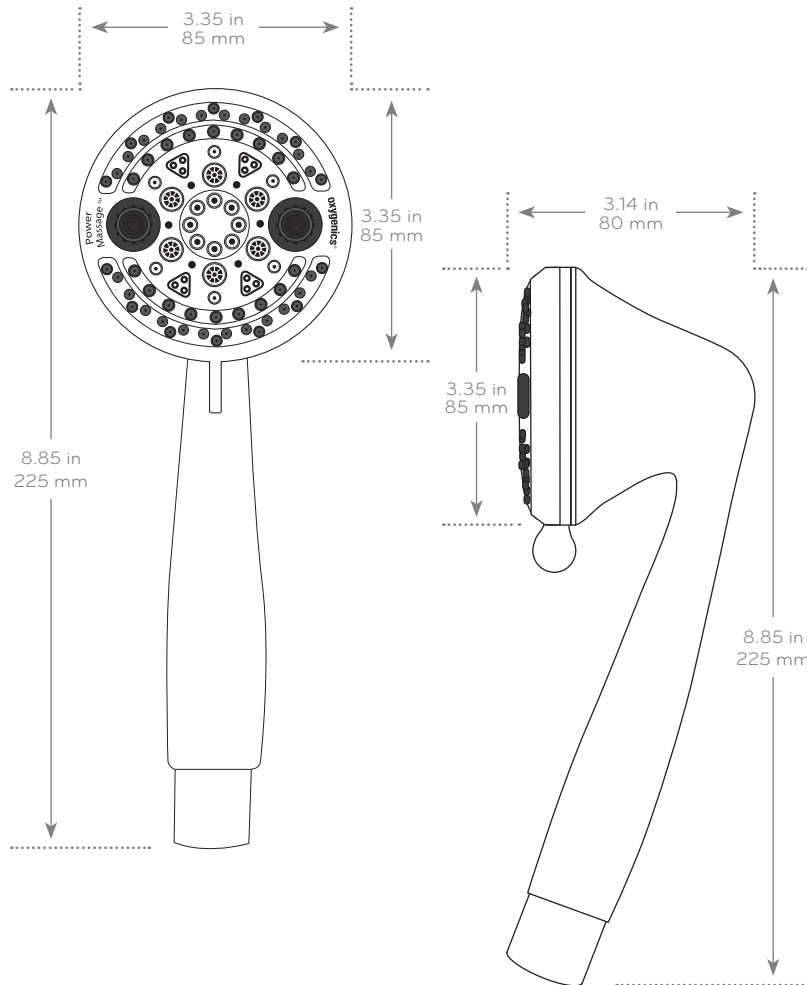


Submitted Model No.: \_\_\_\_\_

Specific Features: \_\_\_\_\_



**PRODUCT SPECIFICATIONS:**

- Dimensions:** 3.35" x 3.14" x 8.85"
- Weight:** 2 lbs.
- Max Flow Rate:** 1.75 GPM
- Available Finishes:** Chrome, Brushed Nickel, Matte Black

**SETTINGS:**

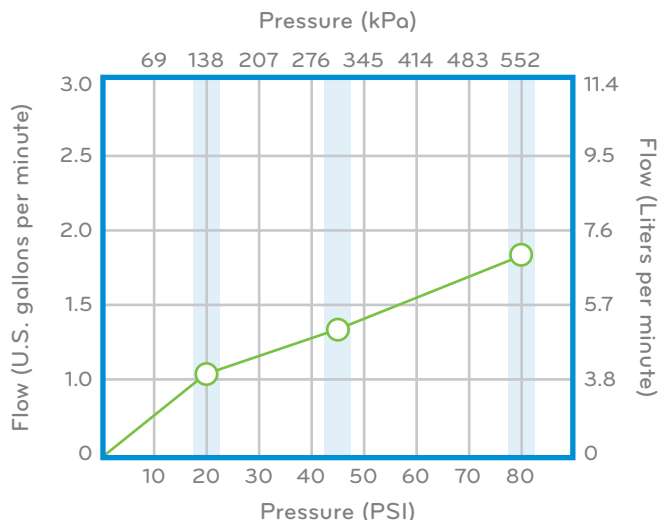


**FEATURES:**

- + Multi Oxygenics setting with dual Oxygenics engines **increases water pressure.**
- + **Efficient design** reduces water usage without limiting power.
- + **Reduces water and energy** costs by up to **\$130+ per year.**
- + **5 spray settings** adjust coverage from wide to focused.
- + Intuitive spray selector makes **changing settings easy**, even with wet hands.
- + Internal parts made from acetal resin **prevent hard mineral buildup and clogging.**

**WHAT'S INCLUDED:**

- + Handheld Shower + 60" Hose + Holder
- + Plumber's Tape



○ Oxygenics 1.75 GPM

**"NEVER CLOG!" Warranty**

Limited lifetime performance warranty against failure or clogging.

