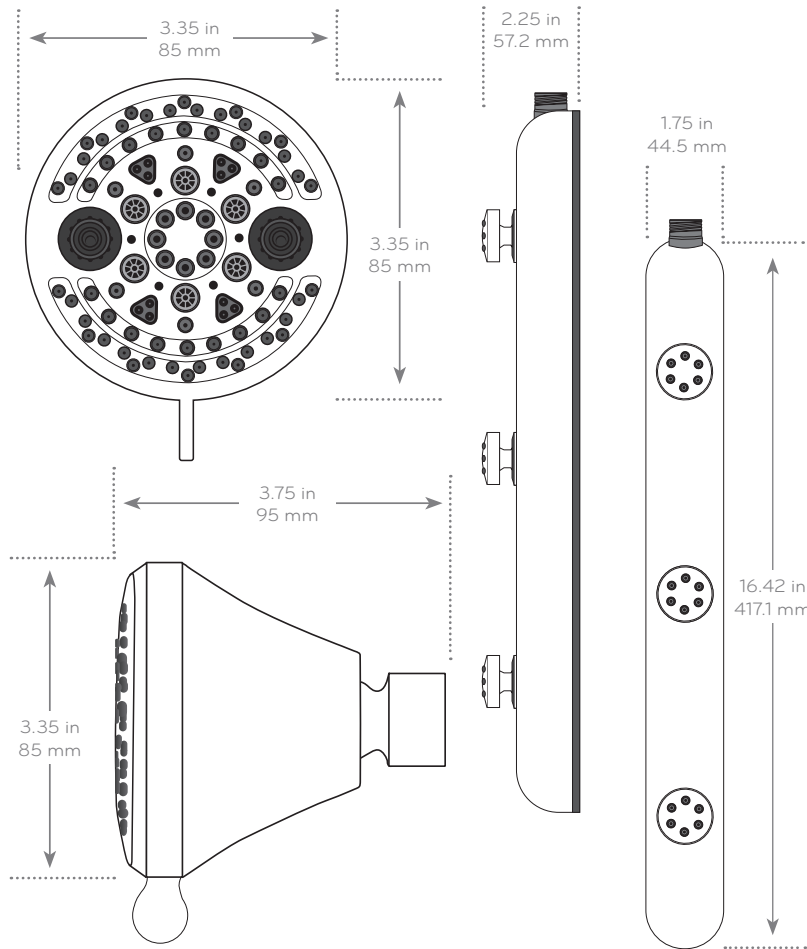


Submitted Model No.: _____

Specific Features: _____



PRODUCT SPECIFICATIONS:

- Fixed Dimensions:** 3.35" x 3.75" x 3.35"
- BodyBar Dimensions:** 1.75" x 2.25" x 16.42"
- Fixed Weight:** 1 lbs.
- BodyBar Weight:** 2 lbs.
- Max Flow Rate:** 1.8 GPM
- Available Finishes:** Brushed Nickel

SETTINGS:

11 TOTAL SPRAY COMBINATIONS

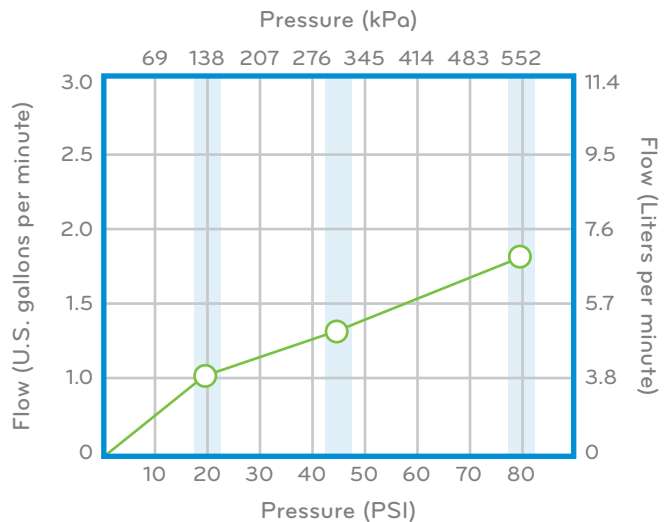
- Multi Oxygenics
- WideStream
- FocusStream
- FocusStream
- Flood
- Massage

FEATURES

- + Multi Oxygenics setting with **dual Oxygenics engines** increases both pressure and coverage!
- + **5 spray settings** adjust coverage from wide to focused.
- + **Jets rotate up to 23°** in any direction
- + Efficient design **saves up to \$125+** per year by lowering water and energy usage
- + Includes a 30" stainless steel hose, allowing BodyBar to be **placed vertically or horizontally**.
- + **Never worry** about drilling into pipes, cracking tile or having to do an extensive remodel.

WHAT'S INCLUDED:

- + Fixed Shower + BodyBar + 3-Way Diverter
- + 30" Stainless Steel Hose + Plumber's Tape
- + 3M® Commercial Grade Tape
- + (2) Screws and (2) Hollow Wall Anchors



○ Oxygenics 1.8 GPM

"NEVER CLOG!" Warranty

Limited lifetime performance warranty against failure or clogging.

