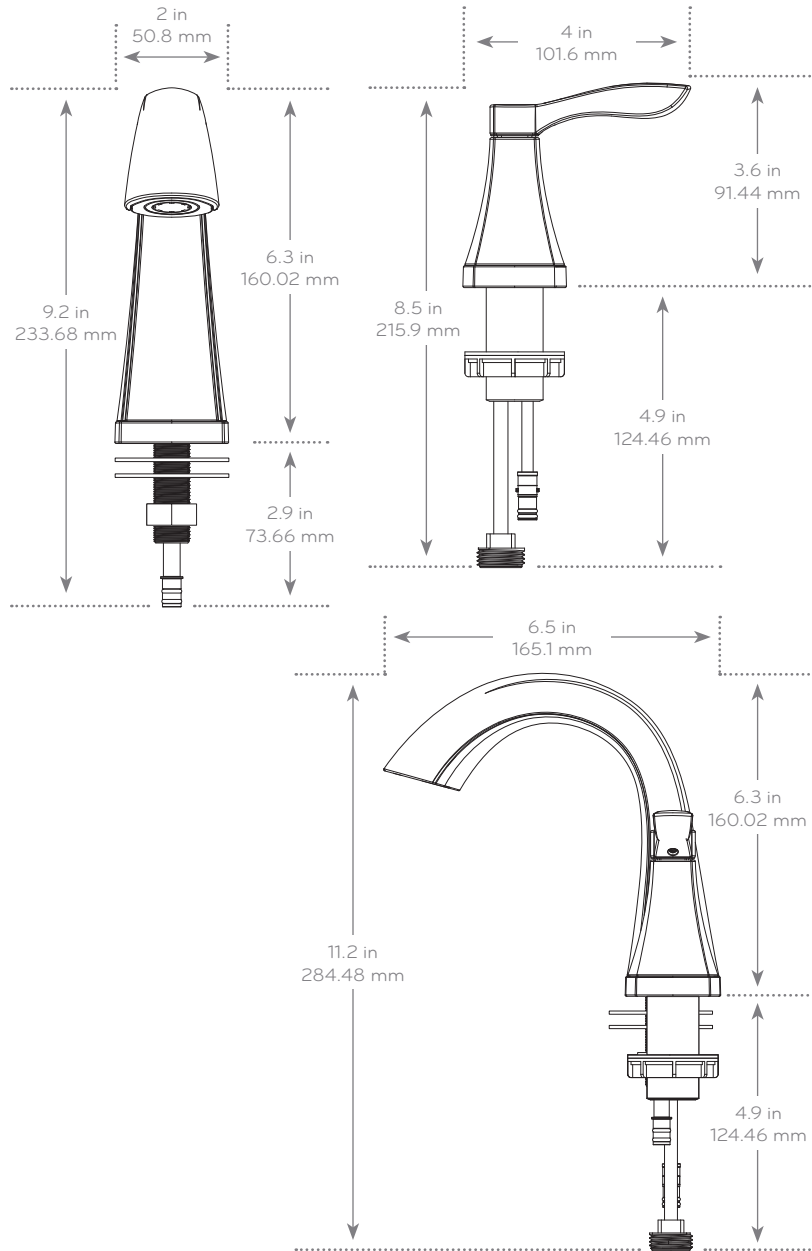


Submitted Model No.: _____

Specific Features: _____



PRODUCT SPECIFICATIONS:

Dimensions:	9.2" x 2" x 6.5" Faucet 8.5" x 4" x 1.9" Handle
Weight:	4.3 lbs.
Max Flow Rate:	1.2 GPM
Available Finishes:	Chrome, Brushed Nickel, Oil Rubbed Bronze, Matte Black

FEATURES:

- + 3-hole mount faucet **compatible with 4"-16" widespread sinks.**
- + **Metal construction** for long lasting durability.
- + **Ceramic disc valves** prevent leaking and ensure smooth operation.
- + **Easy clean material** for a beautiful finish every day.
- + **Quick connect supply lines** for trouble-free installation.

ADDITIONAL INFORMATION:

- + **HOLES FOR INSTALLATION:** 3
- + **WIDESPREAD WIDTH RANGE:** 4" – 16"
- + **DRAIN ASSEMBLY:** Included
- + **SUPPLY LINES:** Included
- + **MAXIMUM DECK THICKNESS:** 2.25"
- + **HOLE SIZE:** 1.06" – 1.5"
- + **WATER SUPPLY CONNECTION:** .375"

WHAT'S INCLUDED:

- + Spout + Handles + Push Pop-Up Drain
- + Quick Connect Supply Lines
- + (2) 20" Supply Lines + Plumber's Tape
- + Aerator Removal Tool

LIMITED LIFETIME WARRANTY

Limited lifetime performance warranty against failure or clogging.

