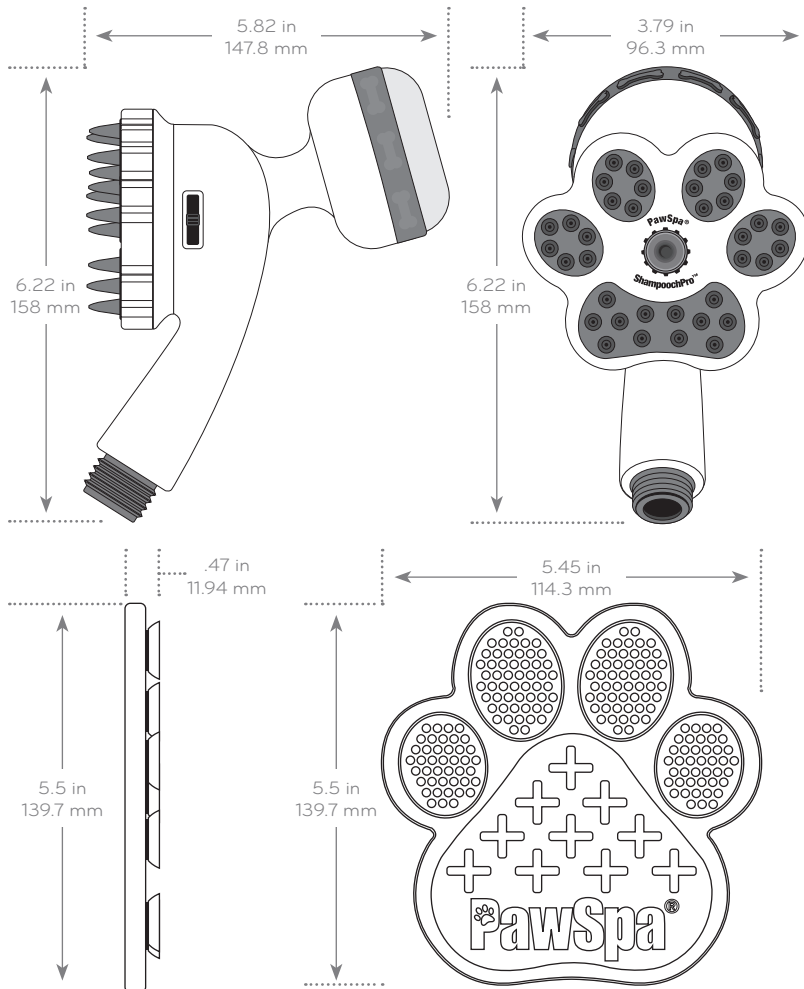


Submitted Model No.: _____

Specific Features: _____



PRODUCT SPECIFICATIONS:

- Dimensions:** 3.79" x 5.82" x 6.22"
- Weight:** .44 lbs.
- Max Flow Rate:** 1.8 GPM
- Available Finishes:** Gray

SETTINGS:

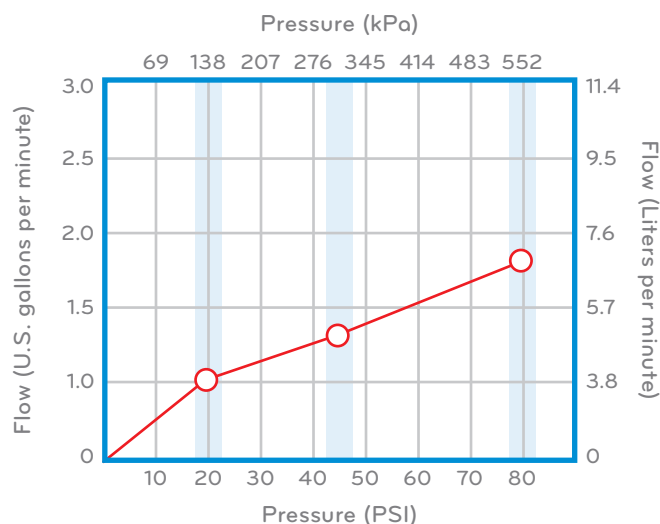


FEATURES

- + **Silicone lick pad** keeps pets occupied and calm while bathing.
- + **A gentle flick of the switch changes settings** from a powerful WideStream to a SmartPause that brings water to a trickle.
- + **Removable cap holds up to 3 oz. of shampoo** so there is no fumbling with bottles.
- + **Long rubber nozzles** break up dirt and grime while rinsing.
- + **Place wall mount at any height** to customize your pet bathing needs.
- + **Extra-long 96" hose** easily reaches every part of your pet.
- + **3 included adapters** make it easy to clean your pet in the shower, the sink or outside.

WHAT'S INCLUDED:

- + Pet Washer + 96" Hose + 2-Way Diverter
- + Sink Adapter + Outdoor Spigot Adapter
- + Wall Mount + Mesh Storage Bag
- + Silicone Lick Pad + Plumber's Tape



○ Oxygenics 1.8 GPM

"NEVER CLOG!" Warranty

Limited lifetime performance warranty against failure or clogging.

