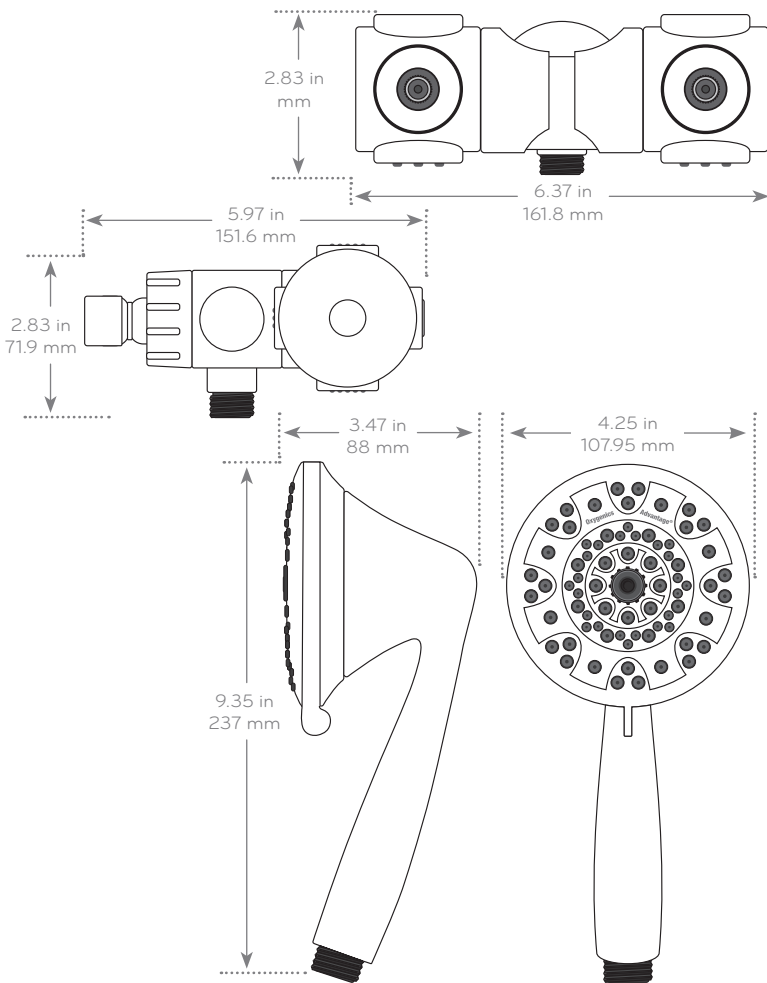


Submitted Model No.: _____

Specific Features: _____



PRODUCT SPECIFICATIONS:

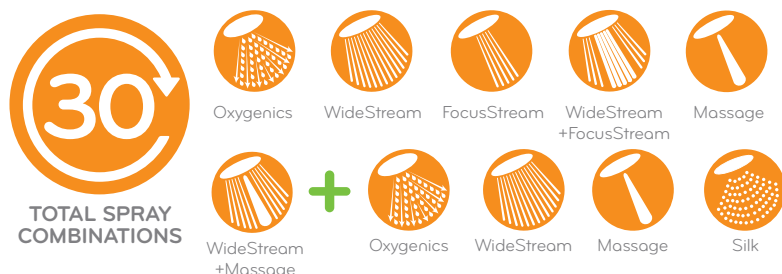
Dimensions: 6.37" x 5.97" x 2.83" Spin
4.25" x 3.47" x 9.35" Handheld

Weight: .8lbs. Spin; .5lbs. Handheld

Max Flow Rate: 1.8 GPM

Available Finishes: Chrome, Brushed Nickel

SETTINGS:

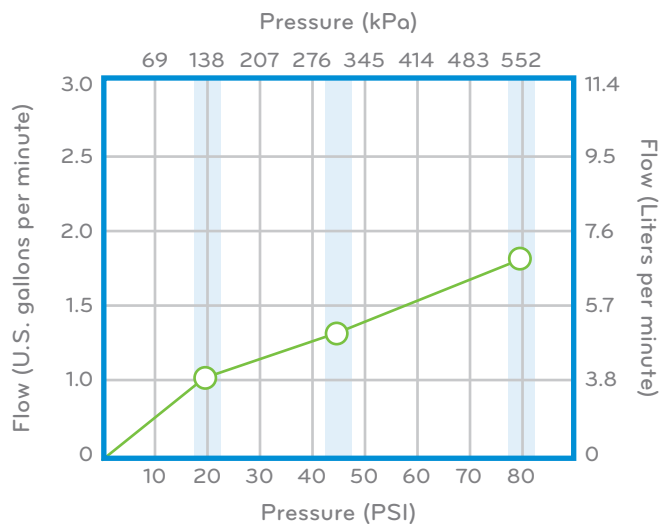


FEATURES

- + **Powerful Oxygenics spray** featuring the Oxygenics Engine!
- + **Use the handheld by itself or with the Spin** to create your own custom spray combinations.
- + Switch between **30 different setting combinations** with ease.
- + **Saves up to \$125+ per year** by lowering water and energy usage.
- + **72" stainless steel hose** for added reach
- + **Non-stick internal parts** prevent hard mineral buildup and clogging.
- + **Features limited lifetime warranty** against clogging or failure.

WHAT'S INCLUDED:

+ Handheld Shower + Spin + 72" Stainless Steel Hose + Silk Removal Tool + Plumber's Tape



○ Oxygenics 1.8 GPM

"NEVER CLOG!" Warranty

Limited lifetime performance warranty against failure or clogging.

