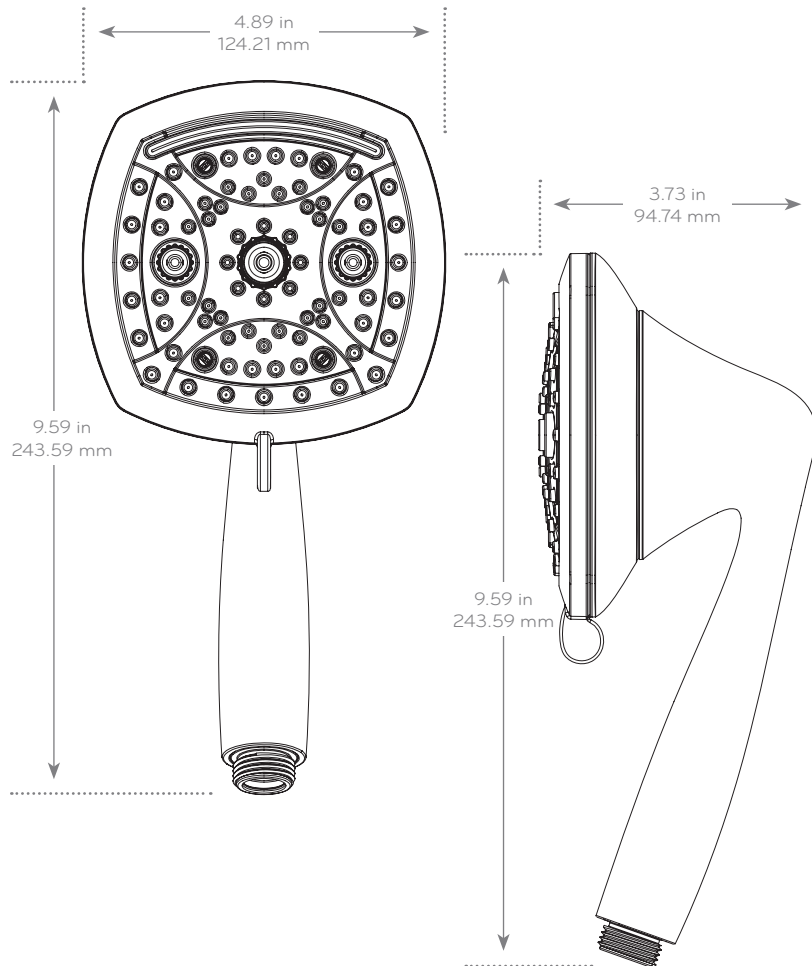




Submitted Model No.: _____

Specific Features: _____



PRODUCT SPECIFICATIONS:

- Dimensions:** 4.89" x 9.59" x 3.73"
- Weight:** .75 lb.
- Max Flow Rate:** 1.8 GPM
- Available Finishes:** Chrome, Brushed Nickel, Matte Black, Oil Rubbed Bronze

SETTINGS:

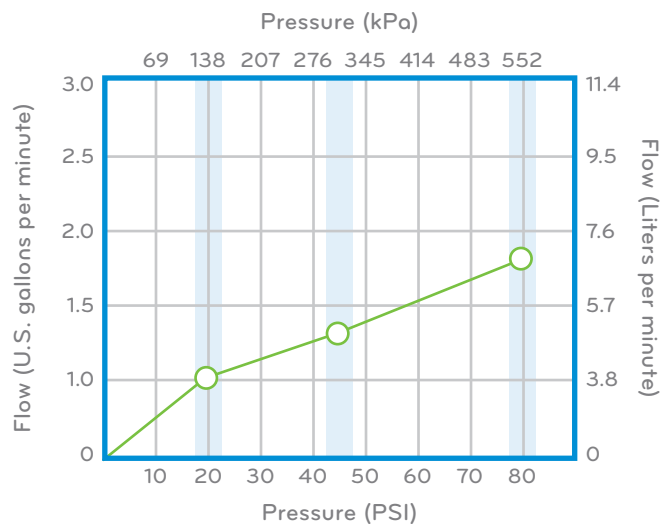


FEATURES:

- + **Cutting-edge technology increases water pressure**, creating a spray that is powerful and more satisfying.
- + **4.9" square face shape provides a different viewpoint** vs. the standard round shower head.
- + **9 settings** including the Sheer and Waterfall sprays.
- + **72" hose for longer reach**, making rinsing easier.
- + **Saves up to \$125+ per year** without sacrificing shower strength.
- + **Non-stick internal parts prevent clogging or corrosion** for consistent performance.

WHAT'S INCLUDED:

- + Handheld Shower + 72" Hose + Holder
- + Plumber's Tape



○ Oxygenics 1.8 GPM

"NEVER CLOG!" Warranty

Limited lifetime performance warranty against failure or clogging.

