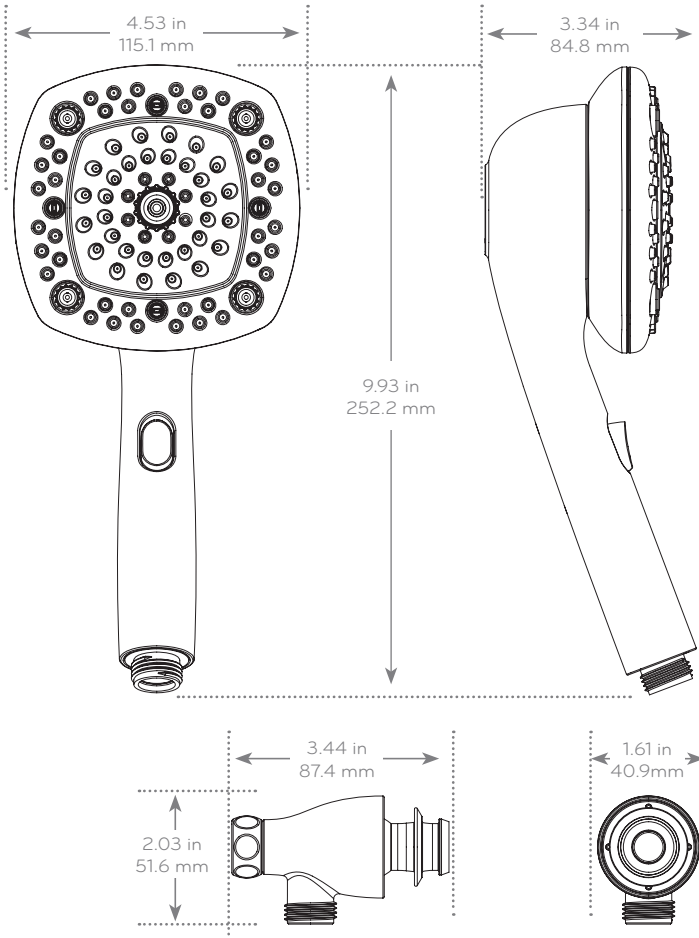




Submitted Model No.: _____

Specific Features: _____



PRODUCT SPECIFICATIONS:

- Dimensions:** 4.53" x 3.34" x 9.93" Handheld
1.61" x 3.44" x 2.03" Holder
- Weight:** .7 lbs.
- Max Flow Rate:** 1.8 GPM
- Available Finishes:** Chrome, Brushed Nickel, Matte Black, Oil Rubbed Bronze

SETTINGS:

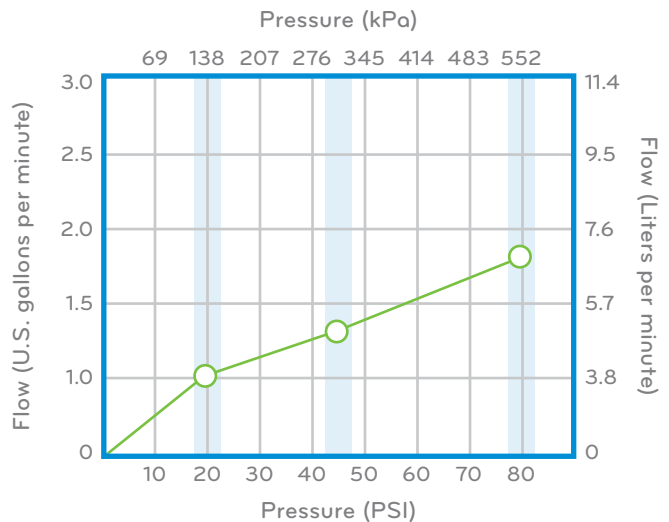


FEATURES

- + **Large 4.5" spray face** has a premium look and feel for an instant bathroom upgrade.
- + **Simply slide the button and the handheld easily disconnects** from the docking system.
- + **Water streams from the Helix setting create a weave pattern** that hits multiple areas of the body to provide full coverage.
- + **Narrow sheets of water intersect for exceptional coverage** from the Sheer setting.
- + **72" stainless steel or PVC hose** reaches all areas of the body and shower.
- + **Reduces water and energy costs** by up to \$125+ per year.

WHAT'S INCLUDED:

- + Handheld Shower + 72" Stainless Steel or PVC Hose + Holder + Plumber's Tape



○ Oxygenics 1.8 GPM

"NEVER CLOG!" Warranty

Limited lifetime performance warranty against failure or clogging.

