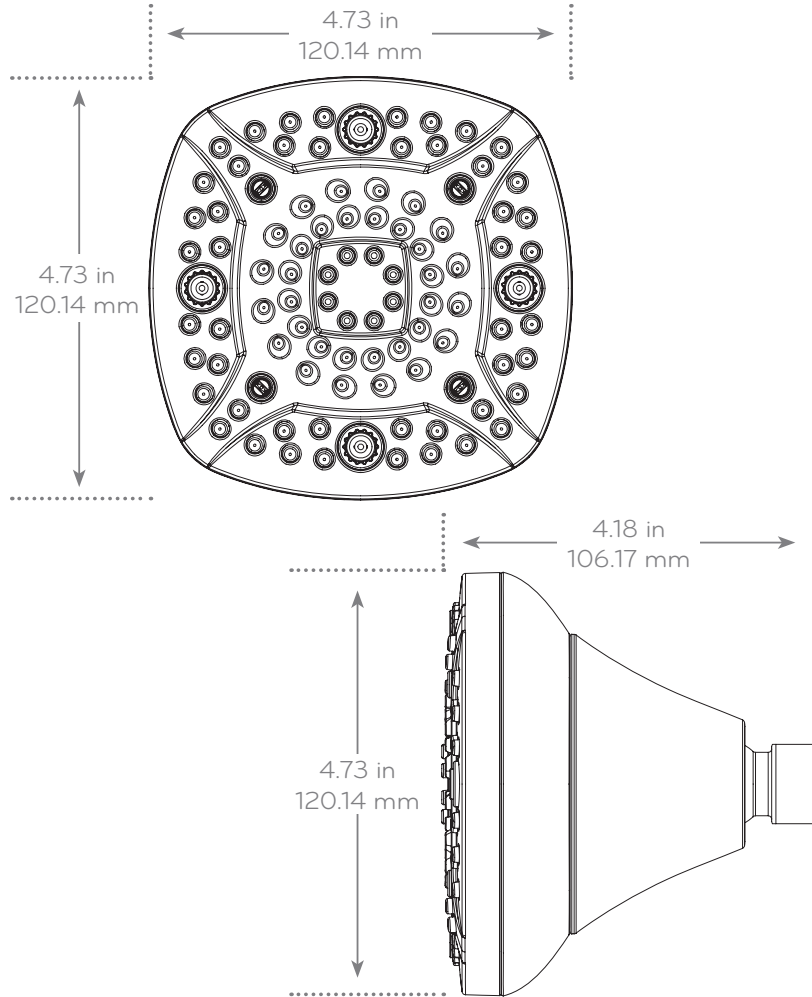




Submitted Model No.: _____

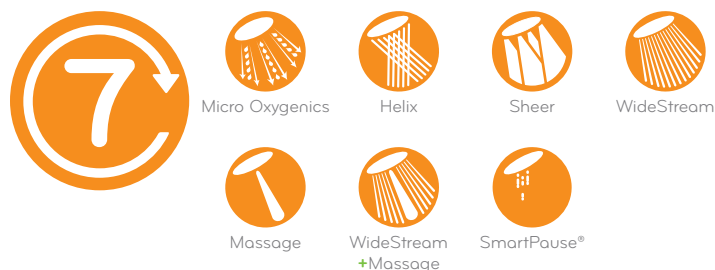
Specific Features: _____



PRODUCT SPECIFICATIONS:

- Dimensions:** 4.73" x 4.73" x 4.18"
- Weight:** .63 lb.
- Max Flow Rate:** 1.8 GPM
- Available Finishes:** Brushed Nickel

SETTINGS:

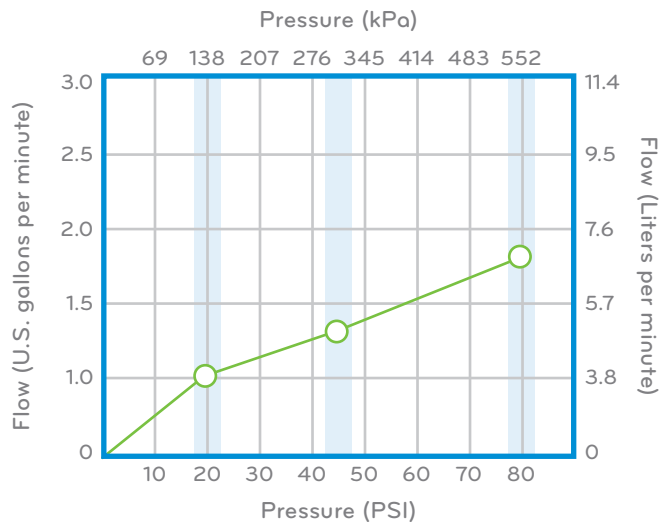


FEATURES:

- + Within the **Helix setting water streams intertwine to deliver comprehensive coverage.**
- + **Slender sheets of water intersect for a brand-new shower sensation** with the Sheer setting.
- + Efficient **design reduces water usage** without limiting power.
- + **Saves up to \$125+ per year** without sacrificing shower strength.
- + **Non-stick internal parts** prevent clogging or corrosion for consistent performance.
- + **Installation is fast,** easy and completed in minutes.

WHAT'S INCLUDED:

- + Fixed Shower + Plumber's Tape



○ Oxygenics 1.8 GPM

"NEVER CLOG!" Warranty

Limited lifetime performance warranty against failure or clogging.

