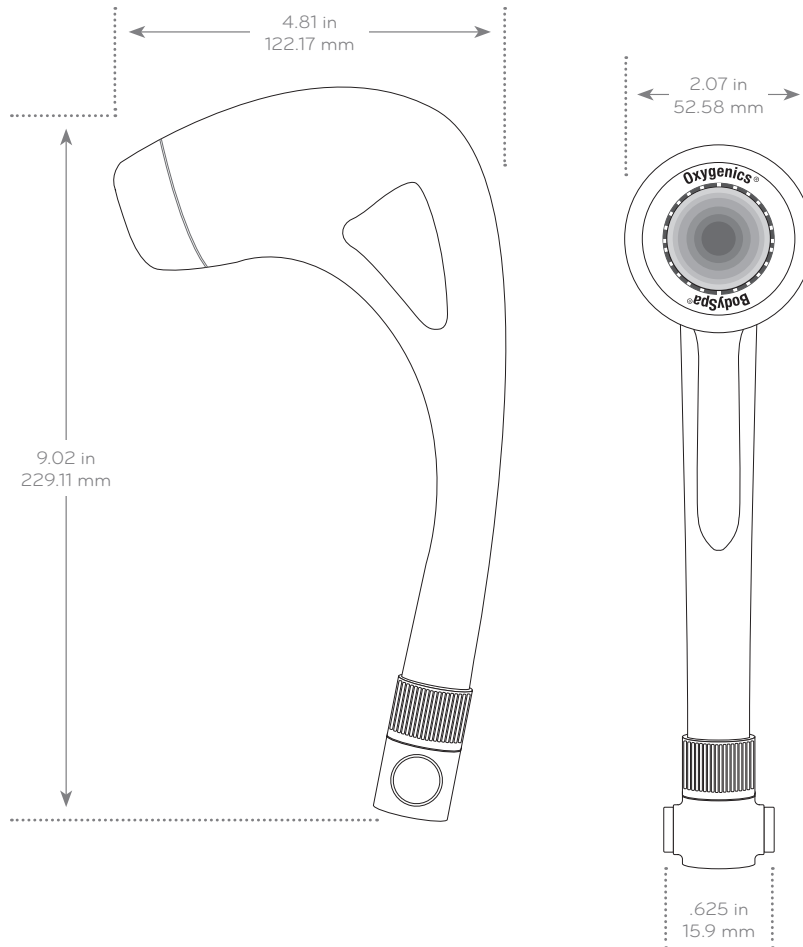




Submitted Model No.: \_\_\_\_\_

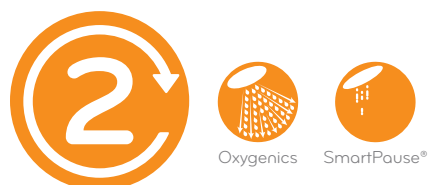
Specific Features: \_\_\_\_\_



## PRODUCT SPECIFICATIONS:

- Dimensions:** 2.07" x 4.81" x 9.02"  
**Weight:** 1.6 lbs.  
**Max Flow Rate:** 1.8 GPM  
**Available Finishes:** Chrome, Brushed Nickel, White, Matte Black, Red/White/Blue, Camo

## SETTINGS:

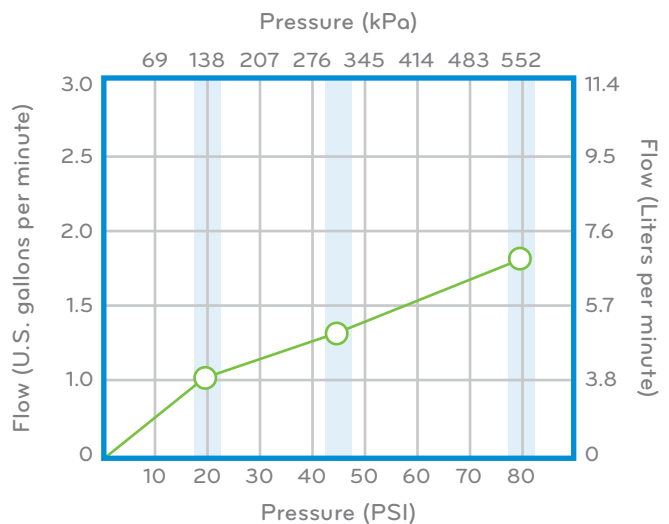


## FEATURES:

- + Powerful Oxygenics setting **amplifies existing water pressure and widens coverage.**
- + SmartPause® Valve helps **preserve tanks levels** by quickly limiting water flow.
- + Designed to **achieve maximum performance** with tank size and pressure limits.
- + Non-stick internal parts **prevent mineral buildup and clogging**, even in hard water conditions.
- + **Limited lifetime warranty** against clogging or performance failures of any kind.

## WHAT'S INCLUDED:

- + Handheld Shower + SmartPause® Valve
- + 60" Hose + Wall Mount + Plumber's Tape



○ Oxygenics 1.8 GPM

## "NEVER CLOG!" Warranty

Limited lifetime performance warranty against failure or clogging.

