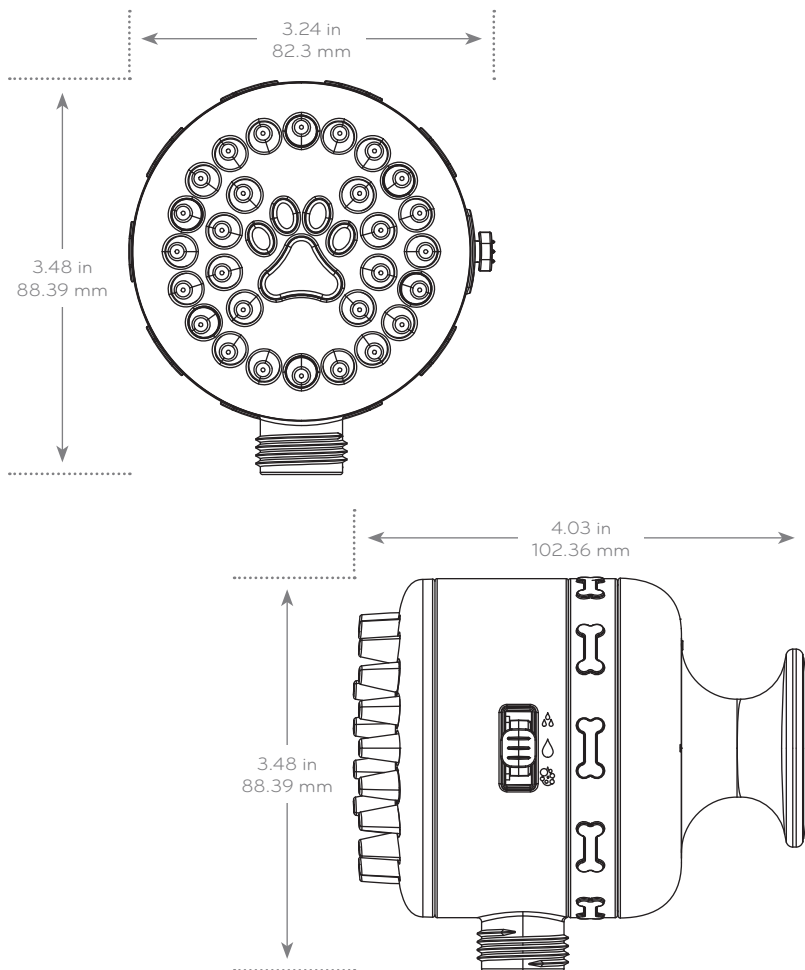


Submitted Model No.: \_\_\_\_\_

Specific Features: \_\_\_\_\_



## PRODUCT SPECIFICATIONS:

- Dimensions:** 3.24" x 3.48" x 4.03"
- Weight:** .5 lbs.
- Max Flow Rate:** 1.8 GPM
- Available Finishes:** Gray

## SETTINGS:

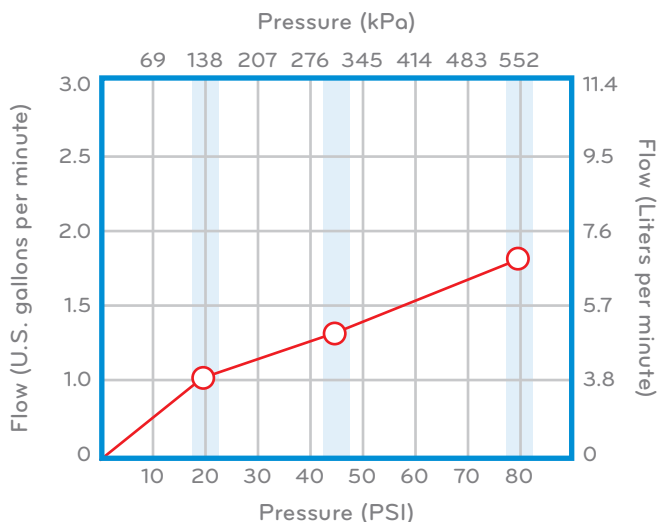


## FEATURES

- + **Shampoo container holds 2 oz. of shampoo** so there is no fumbling with bottles.
- + **Easy selector adds shampoo into the stream** with the flick of a switch.
- + **3.24" face with rubber nozzles** break up dirt and grime while rinsing.
- + Clear shampoo container allows the user to **see the shampoo and water mix**.
- + **Extra-long 96" hose** easily reaches every part of your pet.
- + Included adapters make it **easy to clean your pet indoors or outdoors**.

## WHAT'S INCLUDED:

- + Pet Washer + 96" Hose + 2-Way Diverter
- + Sink Adapter + Outdoor Spigot Adapter
- + Wall Mount + Plumber's Tape



○ Oxygenics 1.8 GPM

## "NEVER CLOG!" Warranty

Limited lifetime performance warranty against failure or clogging.

