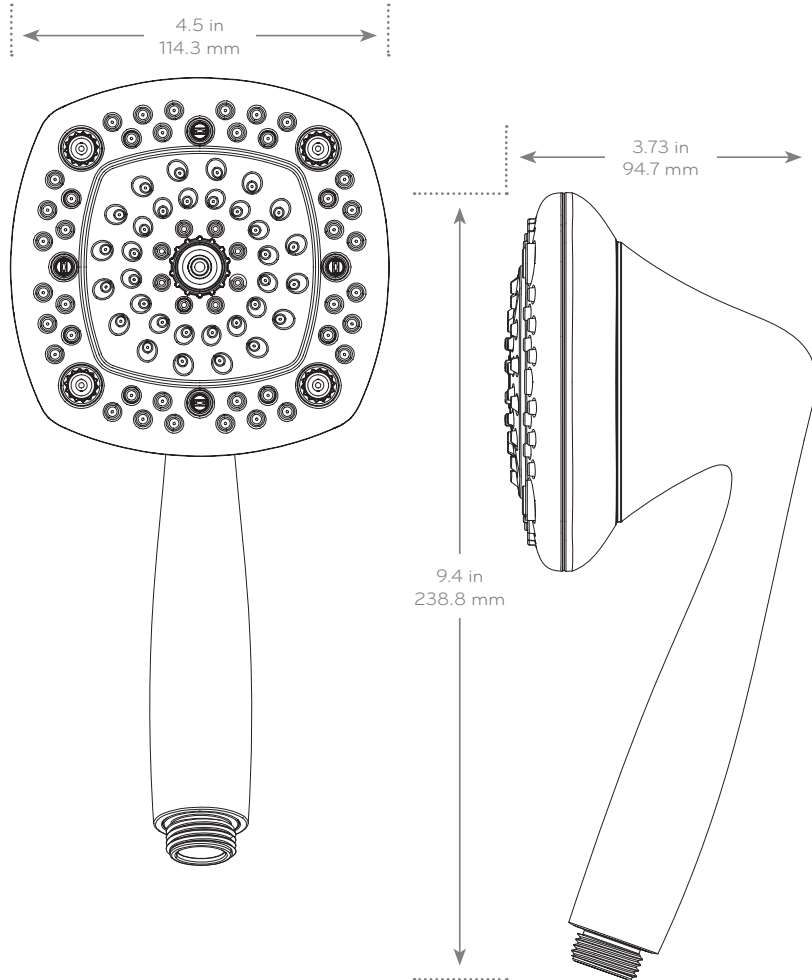


Submitted Model No.: _____

Specific Features: _____



PRODUCT SPECIFICATIONS:

- Dimensions:** 4.5" x 9.4" x 3.73"
- Weight:** 2 lbs.
- Max Flow Rate:** 1.8 GPM
- Available Finishes:** Brushed Nickel, White, Matte Black

SETTINGS:

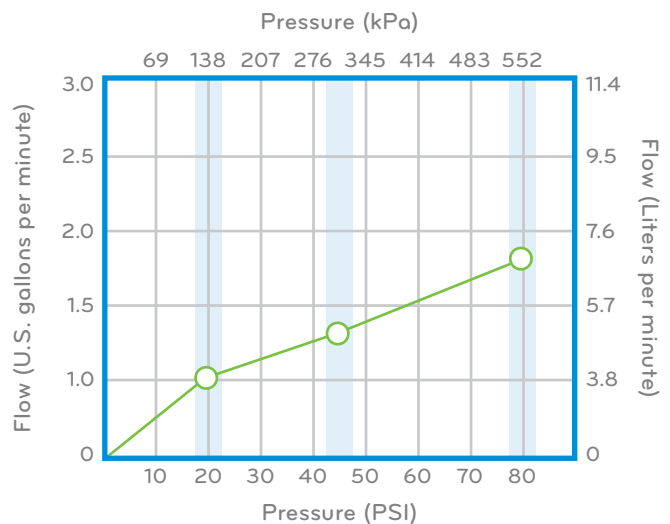


FEATURES

- + **Large 4.5" spray face has a premium look and feel** for an instant RV upgrade.
- + **SecureLock clicks handheld into wall mount** to withstand even the toughest conditions.
- + Water streams from Helix setting weave together to provide **full coverage for a satisfying shower.**
- + **Narrow sheets of water intersect** for exceptional coverage from the Sheer setting.
- + **Includes a 72" hose** for extended reach and easier showering.
- + **Reduce the need for hookups** with water conserving technology that extends the life of RV tanks.

WHAT'S INCLUDED:

- + Handheld Shower + 72" Hose + Wall Mount
- + Plumber's Tape



○ Oxygenics 1.8 GPM

"NEVER CLOG!" Warranty

Limited lifetime performance warranty against failure or clogging.

