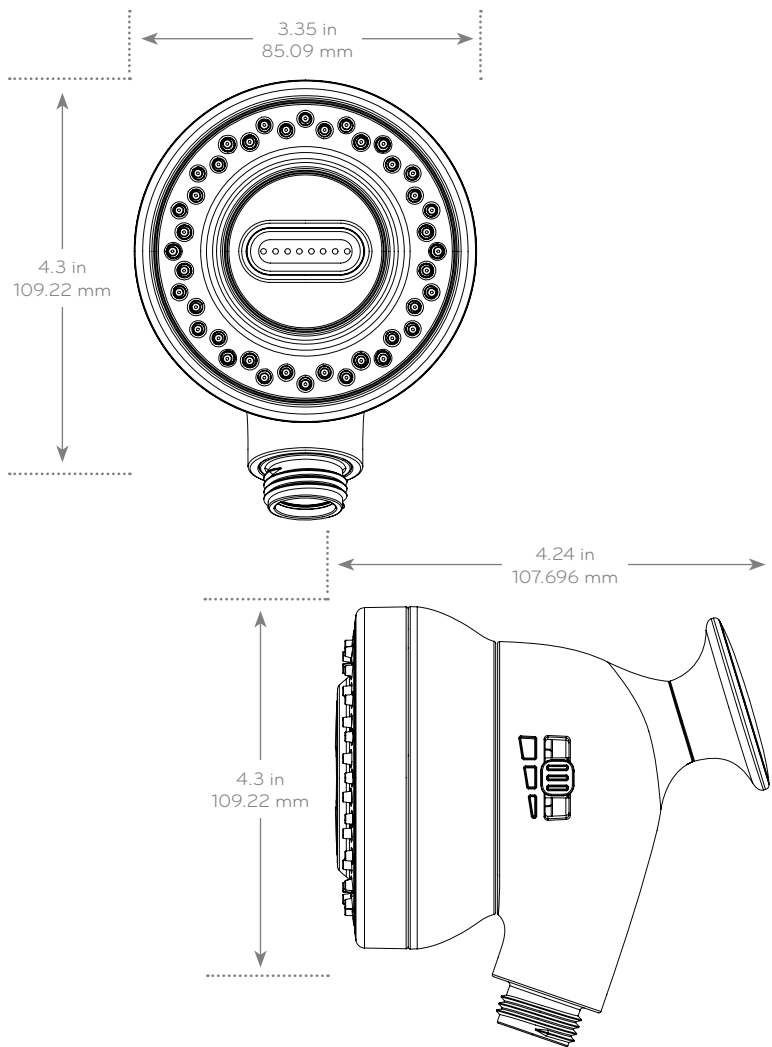


Submitted Model No.: _____

Specific Features: _____



PRODUCT SPECIFICATIONS:

- Dimensions: 3.35" x 4.3" x 4.24"
- Weight: .5 lbs.
- Max Flow Rate: 1.8 GPM
- Available Finishes: Matte Black

SETTINGS:



Delight



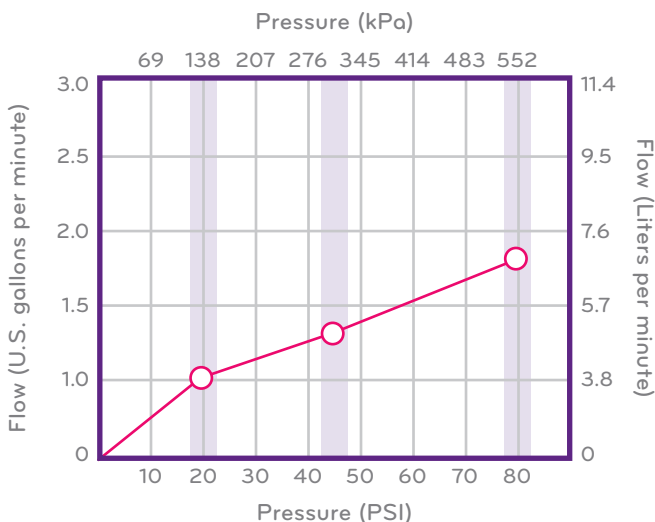
Rhythm

FEATURES

- + **2 sensual modes with Pleasure Guide** designed for one-handed use.
- + **Pleasure Guide** gives infinite control over the water pace, pressure, and power for a sensation that's all yours.
- + Rhythm setting **oscillates up to 780 times a minute** for wave-like stimulation.
- + **Ergonomically designed finger grip** for targeted relaxation ensures effortless handling and ease of use.
- + **Setup in minutes** for solo + partner play.
- + **Wall mount for added convenience**, installs in minutes.

WHAT'S INCLUDED:

- + Elysium personal water massager
- + 72" metal hose + Bag for easy storage
- + 2-way diverter + Adjustable wall mount
- + Plumber's tape



○ Oxygenics 1.8 GPM

"NEVER CLOG!" Warranty

Limited lifetime performance warranty against failure or clogging.

