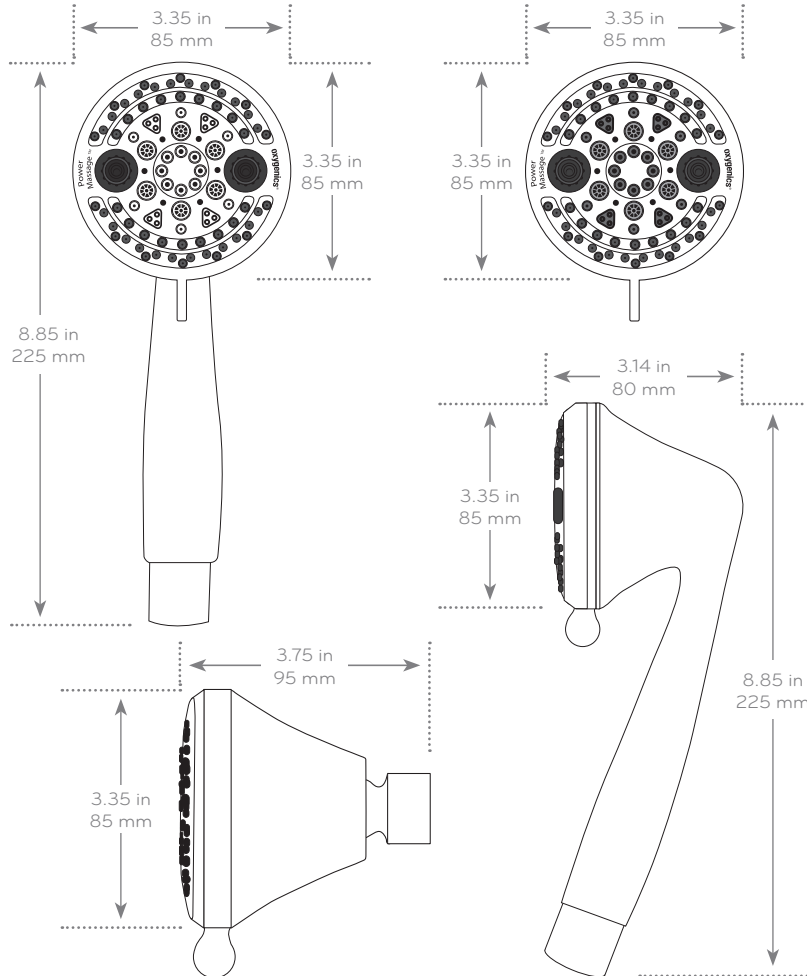




Submitted Model No.: \_\_\_\_\_

Specific Features: \_\_\_\_\_



**PRODUCT SPECIFICATIONS:**

- Dimensions:** 3.35" x 3.75" x 3.35" Fixed  
3.35" x 3.14" x 8.85" Handheld
- Weight:** 1 lbs. Fixed; 2 lbs. Handheld
- Max Flow Rate:** 1.8 GPM
- Available Finishes:** Chrome, Brushed Nickel

**SETTINGS:**

**35**  
TOTAL SPRAY COMBINATIONS

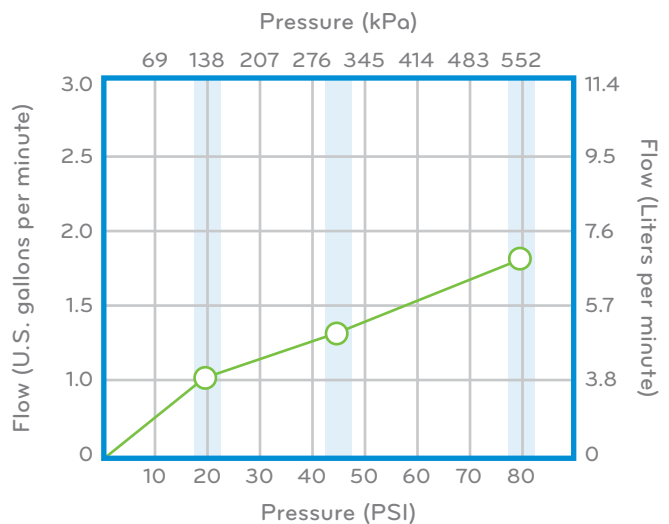
- Multi Oxygenics
- WideStream
- FocusStream
- Massage
- Flood

**FEATURES:**

- + Multi Oxygenics setting with dual Oxygenics engines **increases water pressure.**
- + Use each shower individually or both together with **3-way diverter.**
- + **Efficient design** uses up to 1.8 GPM even with both shower heads running.
- + Reduces water and energy costs by **up to \$125+ per year.**
- + **Intuitive spray selector** makes changing settings easy, even with wet hands.
- + **Internal parts made from acetal resin** prevent hard mineral buildup and clogging.

**WHAT'S INCLUDED:**

- + Fixed Shower + Handheld Shower + 60" Hose
- + Diverter + Plumber's Tape



○ Oxygenics 1.8 GPM

**"NEVER CLOG!" Warranty**

Limited lifetime performance warranty against failure or clogging.

